

GB - ENGLISH

Operating Instructions

Dear Customer,

Many thanks for the confidence you have shown in us with the purchase of your new JET-machine. This manual has been prepared for the owner and operators of a JET 719A / 719AS mortiser to promote safety during installation, operation and maintenance procedures. Please read and understand the information contained in these operating instructions and the accompanying documents. To obtain maximum life and efficiency from your machine, and to use the machine safely, read this manual thoroughly and follow instructions carefully.

...Table of Contents

1. Declaration of conformity

2. Warranty

3. Safety

Authorized use

General safety notes

Remaining hazards

4. Machine specifications

Technical data

Noise emission

Contents of delivery

5. Transport and start up

Transport and installation

Assembly

Mains connection

Dust collection

Starting operation

6. Machine operation

7. Setup and adjustments

Installing chisel and bit

Sharpening chisel and bit

8. Maintenance and inspection

9. Trouble shooting

10. Available accessories

1. Declaration of conformity

On our own responsibility we hereby declare that this product complies with the regulations* listed on page 2. Designed in consideration with the standards**.

2. Warranty

The Seller guarantees that the supplied product is free from material defects and manufacturing faults. This warranty does not cover any defects which are caused, either directly or indirectly, by incorrect use, carelessness, accidental damage, repair, inadequate maintenance or cleaning and normal wear and tear.

Guarantee and/or warranty claims must be made within twelve months from the date of purchase (date of invoice). Any further claims shall be excluded.

This warranty includes all guarantee obligations of the Seller and replaces all previous declarations and agreements concerning warranties.

The warranty period is valid for eight hours of daily use. If this is exceeded, the warranty period shall be reduced in proportion to the excess use, but to no less than three months.

Returning rejected goods requires the prior express consent of the Seller and is at the Buyer's risk and expense.

Further warranty details can be found in the General Terms and Conditions (GTC). The GTC can be viewed at www.jettools.com or can be sent by post upon request.

The Seller reserves the right to make changes to the product and accessories at any time.

3. Safety

3.1 Authorized use

This mortiser is designed for mortising wood and similar materials only. Machining of other materials is not permitted and may be carried out in specific cases only after consulting with the manufacturer.

The proper use also includes compliance with the operating and maintenance instructions given in this manual.

The machine must be operated only by persons familiar with its operation and maintenance and who are familiar with its hazards.

The required minimum age must be observed.

The machine must only be used in a technically perfect condition.

When working on the machine, all safety mechanisms and covers must be mounted.

In addition to the safety requirements contained in these operating instructions and your country's applicable regulations, you should observe the generally recognized technical rules concerning the operation of woodworking machines.

Any other use exceeds authorization. In the event of unauthorized use of the machine, the manufacturer renounces all liability and the responsibility is transferred exclusively to the operator.

3.2 General safety notes

Woodworking machines can be dangerous if not used properly. Therefore the appropriate general technical rules as well as the following notes must be observed.

Read and understand the entire instruction manual before attempting assembly or operation.

Keep this operating instruction close by the machine, protected from dirt and humidity, and pass it over to the new owner if you part with the tool.

No changes to the machine may be made.

Daily inspect the function and existence of the safety appliances before you start the machine. Do not attempt operation in this case, protect the machine by unplugging the power cord.

Remove all loose clothing and confine long hair.

Before operating the machine, remove tie, rings, watches, other jewellery, and roll up sleeves above the elbows.

Wear safety shoes; never wear leisure shoes or sandals.

Always wear the approved working outfit.

Do **not** wear gloves.

Wear goggles when working

Install the machine so that there is sufficient space for safe operation and workpiece handling.

Keep work area well lighted.

The machine is designed to operate in closed rooms and must be bolted stable on firm and levelled table surface or on the supplied cabinet stand.

Make sure that the power cord does not impede work and cause people to trip.

Keep the floor around the machine clean and free of scrap material, oil and grease.

Stay alert!

Give your work undivided attention. Use common sense. Do not operate the machine when you are tired.

Do not operate the machine under the influence of drugs, alcohol or any medication. Be aware that medication can change your behaviour.

Never reach into the machine while it is operating or running down.

Never leave a running machine unattended. Before you leave the workplace switch off the machine.

Keep children and visitors a safe distance from the work area.

Do not operate the electric tool near inflammable liquids or gases. Observe the fire fighting and fire alert options, for example the fire extinguisher operation and place.

Do not use the machine in a dump environment and do not expose it to rain.

Before machining, remove any nails and other foreign bodies from the workpiece.

Work only with well sharpened tools.

Machine only stock which rests securely on the table.

Always close the chuck cover before you start the machine.

Specifications regarding the maximum or minimum size of the workpiece must be observed.

Do not remove chips and workpiece parts until the machine is at a standstill.

Do not stand on the machine.

Connection and repair work on the electrical installation may be carried out by a qualified electrician only.

Have a damaged or worn power cord replaced immediately.

Make all machine adjustments or maintenance with the machine unplugged from the power source.

3.3 Remaining hazards

When using the machine according to regulations some remaining hazards may still exist.

The rotating drill bit can cause injury.

Thrown workpieces and workpiece parts can lead to injury.

Dust and noise can be health hazards. Be sure to wear personal protection gear such as safety goggles and dust mask. Use a suitable dust collection system.

The use of incorrect mains supply or a damaged power cord can lead to injuries caused by electricity.

4. Machine specifications

4.1 Technical data

Motor speed	1450 rpm
Drill chuck capacity	13mm
Chisel capacity	25 x 25mm
Chisel bushings	5/8", 3/4", 13/16", 1-3/16"
Head stroke	200mm
Fence size	90 x 520mm
Chisel centre to fence max	100mm
Table size	180 x 520mm
Table movement long-ways	400mm
Table movement cross-ways	100mm
Table tiltable (model 719A only)	35°

Maximum vertical distance table to chisel bushing	295mm
Net weight 719A	105 kg

Net weight 719AS	116 kg
------------------	--------

Mains	230V ~1/N/PE	50Hz
Output power	0,75 kW (1 HP)	S1
Reference current		5.5 A
Extension cord (H07RN-F):		3x1,5 ²
Installation fuse protection		10A

4.2 Noise emission

Acoustic pressure level (EN 11202):

Idling	67,8 dB (A)
In operation	77,5 dB (A)

The specified values are emission levels and are not necessarily to be seen as safe operating levels.

As workplace conditions vary, this information is intended to allow the user to make a better estimation of the hazards and risks involved only.

4.3 Content of delivery

Cabinet stand
13mm drill chuck
Chuck key
Spindle extension
5/8" (15,87mm) chisel bushing
3/4" (19,05mm) chisel bushing
13/16" (20,64mm) chisel bushing
1-3/16" (30,16mm) chisel bushing
2 handwheel handles
MDF table
Operating handle
work stop
Operating tools
Assembly kit
Operating manual
Spare parts list.

5. Transport and start up

5.1 Transport and installation

The machine is designed to operate in closed rooms and must be bolted on a firm and levelled table surface or on the original cabinet stand.

5.2 Assembly

If you notice transport damage while unpacking, notify your supplier immediately. Do not operate the machine!

Dispose of the packing in an environmentally friendly manner.

Clean all rust protected surfaces with a mild solvent.

Screw the handle (A, Fig1) into the pinion shaft and tighten.

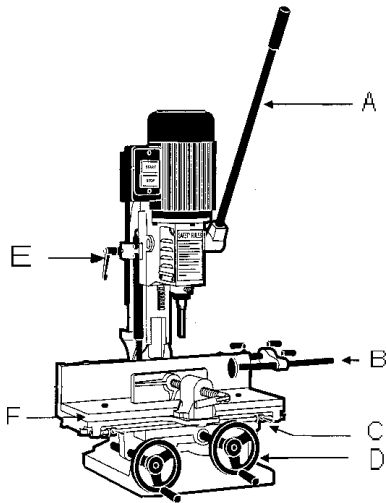


Fig 1

Use the handle to raise the machine head to the up position. The handle is spring loaded and can be repositioned by pulling the handle away from the head, and turned to the desired angle.

Attach the MDF table (F, Fig1) to the base using two screws.

Attach the work stop (B, Fig1). The work stop can be mounted on either end of the table.

Attach the handles to the handwheels (D, Fig1).

Adjust the depth stop (E, Fig1) and the table stops (C, Fig1) according to the work to be performed.

5.3 Mains connection

Mains connection and any extension cords used must comply with applicable regulations. The mains voltage must comply with the information on the machine licence plate.

The mains connection must have a 10 A surge-proof fuse.

Only use power cords marked H07RN-F

Connections and repairs to the electrical equipment may only be carried out by qualified electricians.

5.4 Dust collection

Use a suitable dust collection and filtration system to avoid a high dust concentration in the air.

Dust the machine down after each use and as necessary.

5.5 Starting operation

You can start the machine with the green on button. The red button on the main switch stops the machine.

6. Machine operation

Set the depth stop rod (A, Fig2) to the required depth of cut.

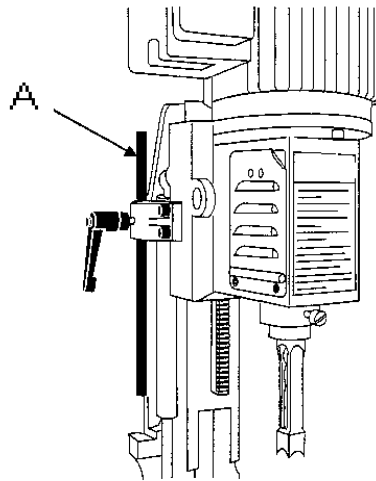


Fig 2

Adjust the work stop (B, Fig1) to suit the workpiece length.

Place the workpiece on the table and clamp the vice (A, Fig3).

The vice has a quick-release function; one full turn to the left will disengage the spindle.

Use the left handwheel to move the table forward and backward to suit the position of the mortise on the workpiece.

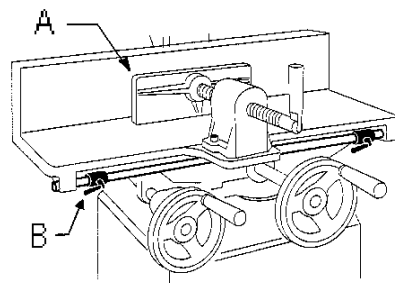


Fig 3

Adjust the table stops (B, Fig3), according to the length of cut required, then tighten the thumb screws.

Turn on the machine and feed chisel and bit steadily into the workpiece by pulling down the operating handle.

NOTE:

The rate of feed must be fast enough to prevent burning at the tip of the drill bit, but not so fast as to cause the machine to stall. The different rates of feed for different woods must be learned by experience.

After the first cut, the workpiece is moved. The direction of movement must allow the chips to clear freely (Fig4).

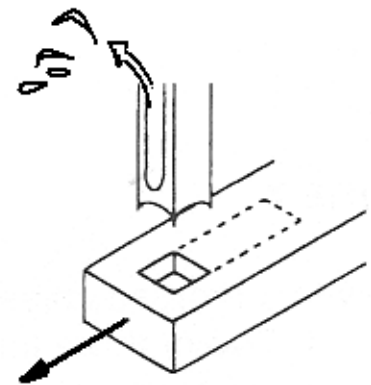


Fig 4

When cutting deep mortises, make the cut in several stages of approx. 25mm each, to allow chips to clear.

To prevent breakout at the back of the workpiece when cutting through mortises, use a piece of scrap material under the workpiece as support.

Warning:

Always keep your hands well clear of the rotating bit.

Always close the chuck cover before you start the machine.

Support long workpieces with helping roller stands.

7. Setup and adjustments

General note:

Setup and adjustment work may only be carried out after the machine is protected against accidental starting by pulling the mains plug.

7.1 Installing chisel and bit

Disconnect the machine from the power source (unplug).

Open the chuck access doors on both sides of the head.

Insert the chisel bushing (3, Fig5) with the hole facing forward into the head.

Insert chisel and bit together.

Tighten the screw (2, Fig5) just enough to hold the chisel (4, Fig5) in place.

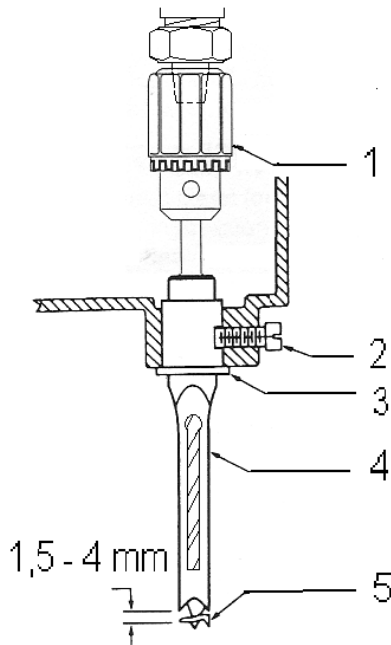


Fig 5

NOTE:

The slot in the chisel should face to the right or left side only. The opening will allow chips to escape during operation.

Push the chisel up as far as possible into the head. Then lower the chisel 1,5 to 4mm, depending on the type of wood being worked. Tighten the screw to hold the chisel in place.

Push the bit up through the chisel opening as far as it will go. Lock the drill bit in place with the chuck key.

Loosen the screw and push the chisel up against the bushing and tighten the screw. This should provide the proper distance between the points of the chisel and the bit.

NOTE: The chisel should be adjusted parallel. Use the workpiece as a gauge (Fig 6).

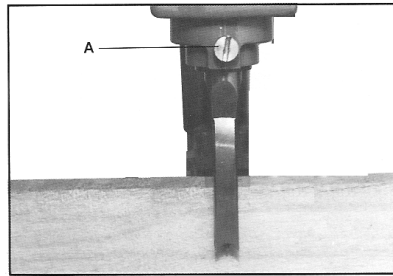


Fig 6

Close the chuck access doors before starting the machine.

Using bits with shorter shanks:

It will be necessary to attach the spindle extension. Place the supplied 32mm open spanner on the chuck release nut and use the chuck key to hold the chuck. Force off the chuck with the chuck release nut. Attach the spindle extension to the chuck and reinstall.

7.2 Sharpening chisel and bit

The chisel and bit should be kept sharp for best performance.

Sharpen the bit by using a small file, following the original shape of the bit.

File the inside edge of the spur (A, Fig7), the sides of the centre point (B, Fig7) and the cutting edge inwards toward the flute of the bit (C, Fig7)

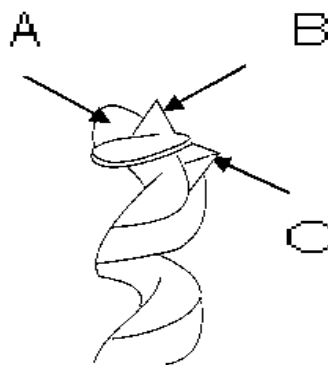


Fig 7

Do not file the outside edges of the spur as this will affect the diameter of the bit.

Sharpen the chisel on the cutting edge inside only.

8. Maintenance and inspection

General notes:

Maintenance, cleaning and repair work may only be carried out after the machine is protected against accidental starting by pulling the mains plug.

The mortise requires only minor maintenance, such as lubrication, routine adjustments and sharpening of chisel and bit.

Clean the machine regularly.

Defective safety devices must be replaced immediately.

Repair and maintenance work on the electrical system may only be carried out by a qualified electrician.

9. Trouble shooting

Motor doesn't start

- *No electricity- check mains and fuse.
- *Defective switch, motor or cord- consult an electrician.

Chisel clogged with chips

- *Clearance chisel to bit not enough- set bit 1,5 to 4mm below chisel.
- *chips cannot clear the chisel- observe chisel slot and working order.

Burned Wood

- *Feed too slow- increase feedrate.
- *Worn chisel or bit- sharpen chisel and bit.

10. Available accessories

Stock number 6285526
6,35 mm chisel and bit

Stock number 6285527
8 mm chisel and bit

Stock number 6285528
9,5 mm chisel and bit

Stock number 6285529
12,7 mm chisel and bit

Stock number 6292447
15,87 mm chisel and bit

Stock number 6292448
19 mm chisel and bit

DE - DEUTSCH

Gebrauchsanleitung

Sehr geehrter Kunde,

vielen Dank für das Vertrauen, welches Sie uns beim Kauf Ihrer neuen JET-Maschine entgegengebracht haben. Diese Anleitung ist für den Inhaber und die Bediener zum Zweck einer sicheren Inbetriebnahme, Bedienung und Wartung der Stemm-Maschine 719A / 719AS erstellt worden. Beachten Sie bitte die Informationen dieser Gebrauchsanleitung und der beiliegenden Dokumente. Lesen Sie diese Anleitung vollständig, insbesondere die Sicherheitshinweise, bevor Sie die Maschine zusammenbauen, in Betrieb nehmen oder warten. Um eine maximale Lebensdauer und Leistungsfähigkeit Ihrer Maschine zu erreichen befolgen Sie bitte sorgfältig die Anweisungen.

Inhaltsverzeichnis

1. Konformitätserklärung

2. Garantieleistungen

3. Sicherheit

Bestimmungsgemäße Verwendung
Allgemeine Sicherheitshinweise
Restrisiken

4. Maschinenspezifikation

Technische Daten
Schallemission
Lieferumfang

5. Transport und Inbetriebnahme

Transport und Aufstellung
Montage
Elektrischer Anschluss
Absaug-Anschluss
Inbetriebnahme

6. Betrieb der Maschine

7. Rüst- und Einstellarbeiten

Stemmmeißel Montage
Meißel Nachschärfung

8. Wartung und Inspektion

9. Störungsabhilfe

10. Lieferbares Zubehör

1. Konformitätserklärung

Wir erklären in alleiniger Verantwortlichkeit, dass dieses Produkt mit den auf Seite 2 angegebenen Richtlinien* übereinstimmt. Bei der Konstruktion wurden folgende Normen** berücksichtigt.

2. Garantieleistungen

Der Verkäufer garantiert, dass das gelieferte Produkt frei von Material- und Fertigungsfehlern ist. Diese Garantie trifft nicht auf jene Defekte zu, welche auf direkten oder indirekten, nicht fachgerechten Gebrauch, Unachtsamkeit, Unfallschaden, Reparatur, mangelhafte Wartung bzw. Reinigung sowie normalen Verschleiß zurückzuführen sind.

Garantie- bzw. Gewährleistungsansprüche müssen innerhalb von 12 Monaten ab dem Verkaufsdatum (Rechnungsdatum) geltend gemacht werden. Weitergehende Ansprüche sind ausgeschlossen.

Die vorliegende Garantie umfasst sämtliche Garantieverpflichtungen seitens des Verkäufers und ersetzt alle früheren Erklärungen und Vereinbarungen betreffend Garantien.

Die Garantiefrist gilt für eine tägliche Betriebszeit von 8 Stunden. Wird diese überschritten, so verkürzt sich die Garantiefrist proportional zur Überschreitung, jedoch höchstens auf 3 Monate.

Die Rücksendung beanstandeter Ware bedarf der ausdrücklichen vorherigen Zustimmung vom Verkäufer und geht auf Kosten und Gefahr des Käufers.

Die ausführlichen Garantieleistungen sind den Allgemeinen Geschäftsbedingungen (AGB) zu entnehmen. Die AGB sind unter www.jettools.com einzusehen oder werden auf Anfrage per Post zugestellt.

Der Verkäufer behält sich das Recht vor, jederzeit Änderungen am Produkt und Zubehör vorzunehmen.

3. Sicherheit

3.1 Bestimmungsgemäße Verwendung

Diese Stemm-Maschine ist ausschließlich zum Stemmen von Holz und Holzersatzstoffen geeignet. Die Bearbeitung anderer Werkstoffe ist nicht zulässig bzw. darf in Sonderfällen nur nach Rücksprache mit dem Maschinenhersteller erfolgen.

Die bestimmungsgemäße Verwendung beinhaltet auch die Einhaltung der vom Hersteller angegebenen Betriebs- und Wartungsanweisungen.

Die Maschine darf ausschließlich von Personen bedient werden, die mit Betrieb und Wartung vertraut und über die Gefahren unterrichtet sind.

Das gesetzliche Mindestalter ist einzuhalten.

Neben den in der Gebrauchsanleitung enthaltenen Sicherheitshinweisen und den besonderen Vorschriften Ihres Landes sind die für den Betrieb von Holzbearbeitungsmaschinen allgemein anerkannten fachtechnischen Regeln zu beachten.

Jeder darüber hinaus gehende Gebrauch gilt als nicht bestimmungsgemäß und für daraus resultierende Schäden haftet der Hersteller nicht. Das Risiko trägt allein der Benutzer.

3.2 Allgemeine Sicherheitshinweise

Holzbearbeitungsmaschinen können bei unsachgemäßem Gebrauch gefährlich sein. Deshalb ist zum sicheren Betreiben die Beachtung der zutreffenden Unfallverhütungs-Vorschriften und der nachfolgenden Hinweise erforderlich.

Lesen und verstehen Sie die komplette Gebrauchsanleitung bevor Sie mit Montage oder Betrieb der Maschine beginnen.

Bewahren Sie die Bedienungsanleitung, geschützt vor Schmutz und Feuchtigkeit, bei der Maschine auf, und geben Sie sie an einen neuen Eigentümer weiter.

An der Maschine dürfen keine Veränderungen, An- und Umbauten vorgenommen werden.

Überprüfen Sie täglich vor dem Einschalten der Maschine die einwandfreie Funktion und das Vorhandensein der erforderlichen Schutzeinrichtungen.

Festgestellte Mängel an der Maschine oder den Sicherheitseinrichtungen sind zu melden und von den beauftragten Personen zu beheben. Nehmen Sie die Maschine in solchen Fällen nicht in Betrieb, sichern Sie die Maschine gegen Einschalten durch Ziehen des Netzsteckers.

Zum Schutz von langem Kopfhaar Mütze oder Haarnetz aufsetzen.

Enganliegende Kleidung tragen, Schmuck, Ringe und Armbanduhren ablegen.

Tragen Sie Schutzschuhe, keinesfalls Freizeitschuhe oder Sandalen.

Verwenden Sie die durch Vorschriften geforderte persönliche Schutzausrüstung.

Beim Arbeiten an der Maschine **keine Handschuhe** tragen.

Beim Arbeiten Schutzbrille tragen.

Die Maschine so aufstellen, dass genügend Platz zum Bedienen und zum Führen der Werkstücke gegeben ist.

Sorgen Sie für gute Beleuchtung.

Achten Sie darauf, dass die Maschine standsicher auf fester und ebener Tischfläche oder auf dem Originalunterschrank festgeschraubt ist.

Beachten Sie dass die elektrische Zuleitung nicht den Arbeitsablauf behindert und nicht zur Stolperstelle wird.

Den Arbeitsplatz frei von behindernden Werkstücken, etc. halten.

Niemals in die laufende Maschine greifen.

Seien Sie aufmerksam und konzentriert. Gehen Sie mit Vernunft an die Arbeit.

Arbeiten Sie niemals unter dem Einfluss von Rauschmitteln wie Alkohol und Drogen an der Maschine. Beachten Sie, dass auch Medikamente Einfluss auf Ihr Verhalten nehmen können.

Halten Sie Unbeteiligte, insbesondere Kinder vom Gefahrenbereich fern.

Die laufende Maschine nie unbeaufsichtigt lassen. Vor dem Verlassen des Arbeitsplatzes die Maschine ausschalten.

Benützen Sie die Maschine nicht in der Nähe von brennbaren Flüssigkeiten oder Gasen.

Beachten Sie die Brandmelde- und Brandbekämpfungsmöglichkeiten z.B. Standort und Bedienung von Feuerlöschern.

Benützen Sie die Maschine nicht in feuchter Umgebung und setzen Sie sie nicht dem Regen aus.

Vor der Bearbeitung Nägel und andere Fremdkörper aus dem Werkstück entfernen.

Nur mit gut geschärften Werkzeugen arbeiten.

Bearbeiten Sie nur ein Werkstück, das sicher auf dem Tisch aufliegt.

Arbeiten Sie nie bei geöffneten Bohrfutterdeckeln.

Angaben über die min. und max. Werkstückabmessungen müssen eingehalten werden.

Späne und Werkstückteile nur bei stehender Maschine entfernen.

Nicht auf der Maschine stehen.

Arbeiten an der elektrischen Ausrüstung der Maschine dürfen nur durch eine Elektrofachkraft vorgenommen werden.

Tauschen Sie ein beschädigtes Netzkabel sofort aus.

Umrüst-, Einstell- und Reinigungsarbeiten nur im Maschinenstillstand und bei gezogenem Netzstecker vornehmen.

3.3 Restrisiken

Auch bei vorschriftsmäßiger Benutzung der Maschine bestehen die nachfolgend aufgeführten Restrisiken.

Verletzungsgefahr durch den rotierenden Bohrer.

Gefährdung durch wegfliegende Werkstücke und Werkstückteile.

Gefährdung durch Lärm und Staub. Unbedingt persönliche Schutzausrüstungen wie Augen-, Gehör- und Staubschutz tragen. Eine geeignete Absauganlage einsetzen!

Gefährdung durch Strom, bei nicht ordnungsgemäßer Verkabelung.

4. Maschinenspezifikation

4.1 Technische Daten

Motor Drehzahl	1450 U/min
Bohrfutter Kapazität	13mm
Stemmmeißel max.	25 x 25mm
Schaftaufnahmen	5/8", 3/4", 13/16", 1-3/16"
Bohrhub	200mm
Anschlaggröße	90 x 520mm
Ausladung vom Anschlag	max.100mm
Tischgröße	180 x 520mm
Tisch Längshub	400mm
Tisch Querhub	100mm
Tisch schwenkbar (nur für Modell 719AS)	35°
Maximaler vertikaler Abstand Tisch bis Adapterhülse	295mm
Maschinengewicht 719A	105 kg
Maschinengewicht 719AS	116 kg
Netzanschluss	230V ~1/N/PE 50Hz
Abgabeleistung	0,75 kW (1 PS) S1
Betriebsstrom	5.5A
Anschlussleitung (H07RN-F)	3x1,5mm ²
Bauseitige Absicherung	10A

4.2 Schallemission

Schalldruckpegel(nach EN 11202):

Leerlauf	67,8 dB(A)
Bearbeitung	77,5 dB(A)

Die angegebenen Werte sind Emissionspegel und sind nicht notwendigerweise Pegel für sicheres Arbeiten.

Sie sollen dem Anwender eine Abschätzung der Gefährdung und des Risikos ermöglichen.

4.3 Lieferumfang

Unterschrank
13mm Bohrfutter
Bohrfutterschlüssel
Spindelverlängerung
5/8" (15,87mm) Adapterhülse
3/4" (19,05mm) Adapterhülse
13/16" (20,64mm) Adapterhülse
1-3/16" (30,16mm) Adapterhülse
2 Handradgriffe
MDF Tisch
Handhebel
Werkstück Längsanschlag
Bedienwerkzeug
Montagezubehör
Gebrauchsanleitung
Ersatzteilliste

5. Transport und Inbetriebnahme

5.1. Transport und Aufstellung

Die Aufstellung der Maschine sollte in geschlossenen Räumen erfolgen, tischlerübliche Bedingungen in der Werkstatt sind dabei ausreichend.

Die Aufstellfläche muss ausreichend eben und belastungsfähig sein.

Die Maschine kann sowohl auf einem belastbaren Tisch als auch auf dem Originalunterschrank festgeschraubt werden.

5.2 Montage

Wenn Sie beim Auspacken einen Transportschaden feststellen, benachrichtigen Sie umgehend Ihren Händler, nehmen Sie das Gerät nicht in Betrieb.

Entsorgen Sie die Verpackung bitte umweltgerecht.

Entfernen Sie das Rostschutzfett mit einem milden Lösungsmittel.

Schrauben Sie den Handhebel (A, Fig 1) mit einem Gabelschlüssel im Kupplungsstück fest.

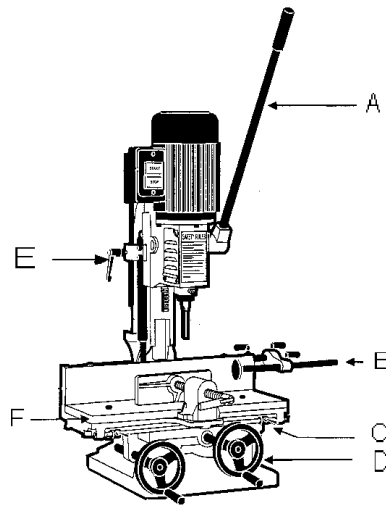


Fig 1

Fig 1

Bringen Sie den Kopf in die oberste Stellung.

Der Handhebel kann umgesetzt werden. Ziehen Sie dazu das Kupplungsstück vom Kopf weg und lassen Sie es in der gewünschten Winkelstellung wieder einrasten.

Montieren Sie die MDF Tischplatte (F, Fig 1) mit den beiden gelieferten Schrauben.

Befestigen Sie den Werkstück Längsanschlag (B, Fig 1). Der Längsanschlag kann an beiden Enden des Tisches montiert werden.

Montieren Sie die Griffe auf die Handräder (D, Fig 1).

Stellen Sie den Tiefenanschlag (E, Fig 1) und die beiden Tischanschläge (C, Fig 1) entsprechend der auszuführenden Bearbeitung ein.

5.3 Elektrischer Anschluss

Der kundenseitige Netzanschluss sowie die verwendeten Verlängerungsleitungen müssen den Vorschriften entsprechen. Die Netzspannung und Frequenz müssen mit den Leistungsschilddaten an der Maschine übereinstimmen.

Die bauliche Absicherung muss dabei 10A betragen.

Verwenden Sie nur Anschlussleitungen mit Kennzeichnung H07RN-F

Anschlüsse und Reparaturen der elektrischen Ausrüstung dürfen nur von einem Elektrofachkraft durchgeführt werden.

5.4 Absaug-Anschluss

Vermeiden Sie eine hohe Luftstaubkonzentration. Setzen Sie ein geeignetes Absaug- bzw. Filtersystem ein.

Die Maschine nach jedem Gebrauch und je nach Bedarf absaugen.

5.5 Inbetriebnahme

Mit dem grünen Eintaster am Hauptschalter kann die Maschine gestartet werden: Mit dem roten Aus-Taster kann die Maschine stillgesetzt werden.

6. Betrieb der Maschine

Stellen Sie den Tiefenanschlag (A, Fig 2) auf die gewünschte Bohrtiefe.

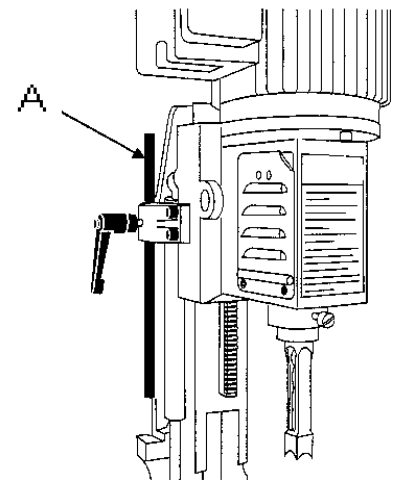


Fig 2

Positionieren Sie den Längsanschlag (B, Fig 1) entsprechend der Werkstücklänge.

Spannen Sie das Werkstück im Schraubstock (A, Fig 3) fest. Der Schraubstock ist mit einer Schnellverstellung ausgestattet; nach einer vollen Spindel-Linksrotation wird die Spindelmutter frei.

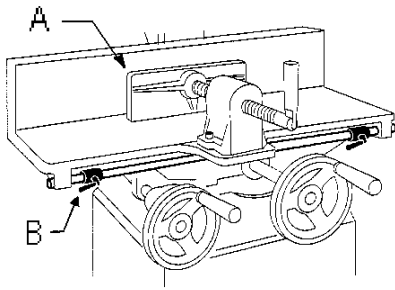


Fig 3

Zur Querpositionierung des Stemmloches bewegen Sie den Tisch mit dem linken Handrad vor und zurück.

Die Stemmloch-Länge bestimmen Sie mit den beiden Tischanschlägen (B, Fig 3).

Starten Sie die Maschine.

Ziehen sie am Handhebel und stemmen Sie zügig in das Werkstück.

HINWEIS:

Der Bohrvorschub muss schnell genug erfolgen um ein Verbrennen der Oberfläche zu vermeiden, jedoch darf auch der Motor nicht gestoppt werden. Die richtige Vorschubgeschwindigkeit je nach Holzart bedarf der Erfahrung.

Nach dem ersten Stemmvorgang wird das Werkstück seitlich versetzt.

Wählen Sie die Arbeitsrichtung so dass die Späneabfuhr nicht behindert wird (Fig 4).

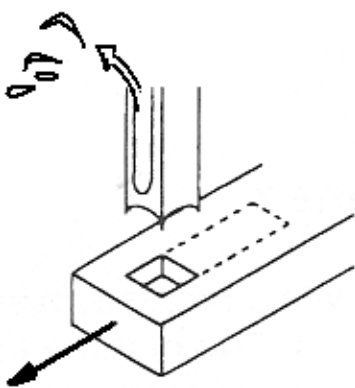


Fig 4

Tiefe Bohrlöcher werden stufenweise jeweils ca. 25mm tiefer ausgeführt. Dadurch bleibt die Späneabfuhr gewährleistet.

Für Durchgangslöcher unterlegen Sie das Werkstück mit einem Stück Abfallholz um ein Ausbrechen der Unterkanten zu vermeiden.

Achtung:

Halten Sie immer ausreichend Abstand zum rotierenden Bohrer.

Arbeiten Sie nie bei geöffneten Bohrfutterdeckeln.

Lange Werkstücke durch Rollenböcke abstützen.

7. Rüst- und Einstellarbeiten

Allgemeine Hinweise

Vor Rüst- und Einstellarbeiten muss die Maschine gegen Inbetriebnahme gesichert werden.

Netzstecker ziehen!

7.1 Stemmeißel Montage

Die Stromzufuhr durch Ziehen des Netzsteckers trennen.

Die Bohrfutterdeckel beidseits des Kopfes öffnen.

Montieren Sie die Adapterhülse (3, Fig 5), die Bohrung zeigt dabei nach vorne.

Bohr- und Stemmeißel gemeinsam einführen.

Klemmen Sie mit der Schraube (2, Fig 5) den Stemmeißel (4, Fig 5) leicht fest.

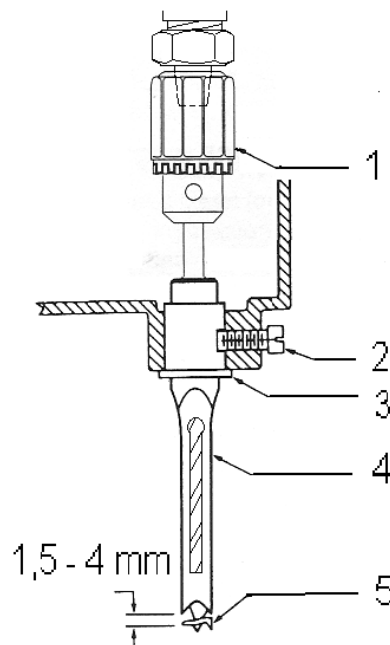


Fig 5

HINWEIS:

Der Schlitz des Stemmeißels sollte nur nach links oder rechts zeigen. Dadurch wird bei der Bearbeitung die Späneabfuhr nicht beeinträchtigt.

Schieben sie den Stemmeißel ganz nach oben und senken Sie ihn dann, abhängig von der Werkstück-Holzart, 1,5 – 4mm ab. Klemmen Sie den Stemmeißel mit der Schraube fest.

Schieben Sie den Bohrer ganz nach oben und spannen Sie ihn im Bohrfutter fest.

Lösen Sie die Schraube, schieben Sie den Stemmeißel nach oben und klemmen Sie ihn fest.

Dadurch ergibt sich der gewünschte Abstand zwischen Bohrerschneide und Stemmeißel.

HINWEIS: Der Stemmeißel sollte parallel ausgerichtet sein. Verwenden Sie das Werkstück als Lehre (Fig 6).

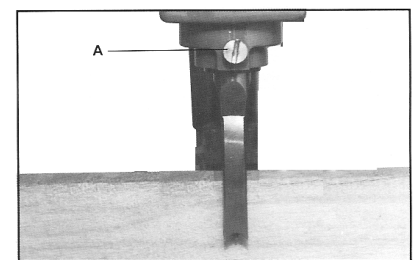


Fig 6

Beide Bohrfutterdeckel wieder schließen.

Für Kurzschaft Stemmeißel:

Für Stemmeißel mit kurzem Schaft benötigen Sie die gelieferte Spindelverlängerung.

Halten Sie das Bohrfutter mit dem Futterschlüssel fest. Drücken Sie mit der Motorspindel-Abdrückmutter unter Zuhilfenahme des gelieferten 32mm Gabelschlüssels das Bohrfutter ab.

Montieren Sie die Spindelverlängerung auf das Bohrfutter bevor Sie dieses wieder einsetzen.

7.2 Meißel Nachschärfung

Scharfe Bohrer und Stemmeißel sind eine Voraussetzung für gute Arbeitsergebnisse.

Schärfen Sie die Bohrerschneiden mit einer kleinen Feile und folgen Sie dabei der Originalform des Bohrers.

Feilen Sie an der Innenseite des Vorschneiders (A, Fig 7), an den Seitenflächen der Zentrierspitze (B, Fig 7) und an der Spanfläche der Hauptschneide (C, Fig 7)

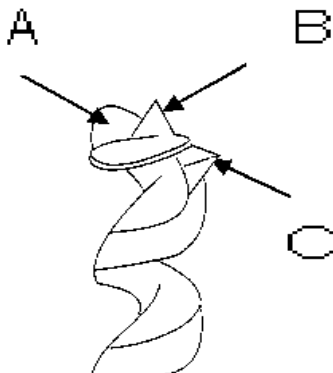


Fig 7

Feilen Sie nicht an der Außenseite des Vorschneiders da sich dadurch der Bohrdurchmesser verändert.

Schärfen Sie den Stemmeißel nur an der Schneideninnenkante.

8. Wartung und Inspektion

Allgemeine Hinweise

Vor Wartungs- Reinigungs- und Reparaturarbeiten muss die Maschine gegen Inbetriebnahme gesichert werden.

Netzstecker ziehen!

Der Wartungsumfang der Stemmaschine beschränkt sich auf leichte Schmierung, Routineeinstellungen und Stemmeißel Nachschärfung.

Reinigen Sie die Maschine in regelmäßigen Zeitabständen.

Beschädigte Sicherheitseinrichtungen sofort ersetzen.

Anschlüsse und Reparaturen der elektrischen Ausrüstung dürfen nur von einer Elektrofachkraft durchgeführt werden.

9. Störungsabhilfe

Motor startet nicht

*Kein Strom-Netzsicherung prüfen.

*Motor, Schalter oder Kabel defekt-Elektrofachkraft kontaktieren.

Stemmeißel verstopft

*Abstand Bohrer zu Meißel zu gering-Bohrer 1,5 bis 4mm unter Meißel stellen.

*Späne können nicht entweichen-Meißelschlitz und Arbeitsfolge beachten.

Oberfläche verbrannt

*Vorschub zu langsam-schneller bohren.

*Bohr-/Stemmeißel stumpf-nachschärfen.

10. Lieferbares Zubehör

Artikel Nummer 6285526
Bohr-/Stemmeißel 6,35 mm

Artikel Nummer 6285527
Bohr-/Stemmeißel 8 mm

Artikel Nummer 6285528
Bohr-/Stemmeißel 9,5 mm

Artikel Nummer 6285529
Bohr-/Stemmeißel 12,7 mm

Artikel Nummer 6292447
Bohr-/Stemmeißel 15,87 mm

Artikel Nummer 6292448
Bohr-/Stemmeißel 19 mm

FR - FRANCAIS

Mode d'emploi

Cher client,

Nous vous remercions de votre confiance que vous nous portez avec l'achat de votre nouvelle machine JET. Ce manuel a été préparé pour l'opérateur de la mortaiseuse JET 719A / 719AS. Son but, mis à part le fonctionnement de la machine, est de contribuer à la sécurité par l'application des procédés corrects d'utilisation et de maintenance. Avant de mettre l'appareil en marche, lisez les consignes de sécurité et de maintenance dans leur intégralité. Pour obtenir une longévité et fiabilité maximale de votre machine, et pour contribuer à l'usage sûr de la machine, veuillez lire attentivement ce mode d'emploi et suivre les instructions.

Table des Matières

1. Déclaration de conformité

2. Prestations de garantie

3. Sécurité

Utilisation conforme

Consignes de sécurité

Risques

4. Spécifications

Indications techniques

Emission de bruit

Contenu de la livraison

5. Transport et montage

Transport

Montage

Raccordement au réseau électr.

Racc. Collecteur de poussières

Mise en exploitation

6. Fonctionnement de la machine

7. Réglages

Montage mèche pour mortaiser

Réaffûtage de l'outil

8. Entretien et inspection

9. Détecteur de pannes

10. Accessoires

1. Déclaration de conformité

Par le présent et sous notre responsabilité exclusive, nous déclarons que ce produit satisfait aux normes conformément aux lignes directrices indiquées page 2.

2. Prestations de garantie

Le vendeur garantit que le produit livré est exempt de défauts de matériel et de fabrication. La présente garantie ne s'applique pas aux défauts résultant d'une utilisation directe ou indirecte incorrecte, de l'inattention, d'un accident, d'une réparation, d'une maintenance ou d'un nettoyage insuffisant, ou encore de l'usure normale.

Il est possible de faire valoir des prétentions en garantie dans les 12 mois suivant la date de la vente (date de la facture). Toute autre prétention est exclue.

La présente garantie comprend toutes les obligations de garantie incombant au vendeur et remplace toutes les déclarations et conventions antérieures en termes de garanties.

Le délai de garantie s'applique pour une durée d'exploitation de huit heures par jour. Au-delà, le délai de garantie diminue proportionnellement au dépassement, mais pas en deçà de trois mois.

Le renvoi d'une marchandise faisant l'objet d'une réclamation requiert l'accord préalable exprès du vendeur et s'effectue aux frais et aux risques de l'acheteur.

Les prestations de garantie détaillées figurent dans les Conditions générales (CG). Ces dernières sont disponibles sur www.jettools.com ou peuvent être envoyées par la poste sur demande.

Le vendeur se réserve le droit de modifier à tout moment le produit et les accessoires.

3. Sécurité

3.1 Utilisation conforme

Cette mortaiseuse convient au mortaisage du bois et des dérivés du bois. Le travail d'autres matériaux est interdit et ne peut être effectué que dans des cas spéciaux et après accord du fabricant de la machine.

L'utilisation conforme implique le strict respect des instructions de service et de maintenance indiquées dans ce manuel.

La machine doit être exclusivement utilisée par des personnes familiarisées avec le fonctionnement, la maintenance et la remise en état, et qui sont informées des dangers correspondants.

L'âge requis par la loi est à respecter.

Toutes les directives relatives à la prévention des accidents ainsi que les consignes de sécurité doivent être respectées scrupuleusement.

En cas d'utilisation non-conforme de la machine, le fabricant décline toute responsabilité qui est en tel cas rejetée exclusivement sur l'utilisateur.

3.2 Consignes de sécurité

L'utilisation non-conforme d'une mortaiseuse peut être très dangereuse. C'est pourquoi vous devez lire attentivement ce mode d'emploi avant de monter ou d'utiliser votre appareil.

Conserver à proximité de la machine tous les documents fournis avec l'outillage (dans une pochette en plastique, à l'abri de la poussière, de l'huile et de l'humidité) et veiller à joindre cette documentation si vous cédez l'appareil.

Ne pas effectuer de modification à la machine. Utiliser les accessoires recommandés, des accessoires incorrects peuvent être dangereux.

Contrôler chaque jour avant d'utiliser la machine les dispositifs de protection et le fonctionnement impeccable.

En cas de défauts à la machine ou aux dispositifs de protection avertir les personnes compétentes et ne pas utiliser la machine. Déconnecter la machine du réseau.

Avant de mettre la machine en marche, retirer cravate, bagues, montres ou autres bijoux et retrousser les manches jusqu'aux coudes. Enlever tout vêtement flottant et nouer les cheveux longs.

Porter des chaussures de sécurité, surtout pas de tenue de loisirs ou de sandales.

Porter équipement de sécurité personnel pour travailler à la machine.

Ne porter **pas de gants**.

Pendant l'utilisation porter les lunettes de protection.

Placer la machine de sorte à laisser un espace suffisant pour la manoeuvre et le guidage des pièces à usiner.

Veiller à un éclairage suffisant.

Placer la machine sur un sol stable et plat.

S'assurer que le câble d'alimentation ne gêne pas le travail ni risque de faire trébucher l'opérateur.

Conserver le sol autour de la machine propre, sans déchets, huile ou graisse.

Ne jamais mettre la main dans la machine pendant le travail.

Prêter grande attention à votre travail et rester concentré.

Ne pas travailler sous l'influence de drogues, d'alcool ou de médicaments.

Eloigner toutes personnes incompetentes surtout des enfants de la machine.

Ne jamais laisser la machine en marche sans surveillance.

Arrêter la machine avant de quitter la zone de travail.

Ne pas mettre la machine à proximité de liquides ou de gaz inflammables.

Préserver la machine de l'humidité et ne jamais la mettre sous la pluie.

Retirer les clous et autres corps étrangers de la pièce avant de débiter l'usinage.

Travailler seulement avec des outils bien aiguisés.

Seulement usiner une pièce, qui se laisse bien poser sur la table.

Ne jamais travailler avec les couvercles des mandrins de perceuse ouverts.

Se tenir aux spécifications concernant la dimension maximale ou minimale de la pièce à usiner.

Ne pas enlever les copeaux et les pièces usinées avant que la machine ne soit à l'arrêt.

Ne pas se mettre sur la machine.

Tous travaux de branchement et de réparation sur l'installation électrique doivent être exécutés uniquement par un électricien qualifié.

Remplacer immédiatement tout câble endommagé ou usé.

Faire tous les travaux de réglage ou de maintenance seulement après avoir débranché la machine du réseau.

3.3 Risques

Même en respectant les directives et les signes de sécurité existe les risques suivants.

Risque de blessures par le perceur en rotation.

Danger de pièces éjectées.

Risque de santé par poussières de bois, copeaux et bruit.

Porter équipement de sécurité personnel tel que lunettes, cache-visage pour travailler à la machine. Utiliser un collecteur de poussières!

Danger par câble électrique endommagé, usé ou mal branché.

4. Spécifications 719A / 719AS

4.1 Indications techniques

Vitesse de rotation	1450 T/min
Capacité du mandrin	13mm
Mèche pour mortaisers max.	25 x 25mm
Porte-mèche	5/8", 3/4", 13/16", 1-3/16"
Perçage	200mm
Dimension du guide	90 x 520mm
Saillie de butée	max. 100mm

Dimension de la table	180 x 520mm
Table avance longitudinale	400mm
Table avance transversale	100mm

Inclinaison de table 35°
(Model 719AS seulement)

Distance max. verticale entre table et adaptateur 295mm

Poids net 719A 105 kg

Poids net 719AS 116 kg

Voltage 230V ~1/N/PE 50Hz

Puissance 0,75 kW (1 CV) S1

Courant électrique 5.5A

Raccordement (H07RN-F) 3x1,5mm²

Fusible du secteur élect. 10A

4.2 Emission de bruit

Niveau de pression sonore (selon EN 11202):

Marche à vide 67,8 dB (A)

Usinage 77,5 dB (A)

Les indications données sont des niveaux de bruit et ne sont pas forcément les niveaux pour un travail sûr.

Ainsi l'utilisateur peut estimer les dangers et les risques possibles.

4.3 Contenu de la livraison

Châssis fermé

Mandrin 13mm

Clé de mandrin

Rallonge d'arbre

Adaptateur mandrin 5/8" (15,87mm)

Adaptateur mandrin 3/4" (19,05mm)

Adaptateur mandrin 13/16" (20,64mm)

Adaptateur mandrin 1-3/16" (30,16mm)

2 volants à main

Dessus de table en bois

Levier

Butée de bout

Outil de travail

Accessoires de montage

Mode d'emploi

Liste pièces de rechange

5. Transport et mise en exploitation

5.1 Transport

Effectuer le montage de la machine dans un local fermé ou un atelier respectant les conditions de menuiserie.

Visser la machine sur une surface de table en assurant la stabilité au déversement ou sur le châssis.

5.2 Montage

Avertir JET immédiatement si vous constatez des pièces endommagées par le transport et ne monter pas la machine.

Enlever la protection antirouille avec un dissolvant.

Visser le levier (A, Fig 1) avec une clé à fourche dans la pièce d'accouplement.

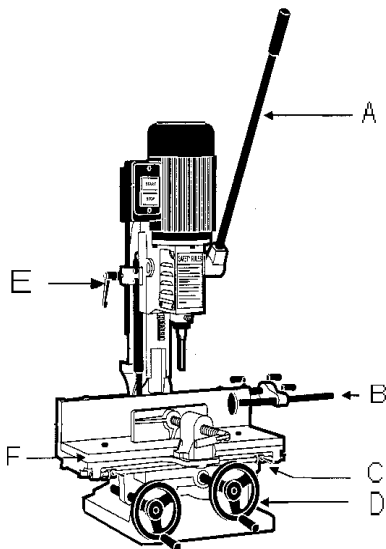


Fig 1

Mener la tête en position plus élevée. Le levier peut être déplacé. Pour cela retirer la pièce d'accouplement de la tête et la rebloquer en position souhaitée.

Monter le dessus de table en bois (F, Fig 1) avec les deux vis livrées.

Fixer la butée de bout (B, Fig 1). La butée peut être positionner aux deux bouts de la table.

Monter les poignées sur les volants à main (D, Fig 1).

Ajuster la butée de profondeur (E, Fig 1) et les deux butées de table (C, Fig 1) selon le travail à effectuer.

5.3 Raccordement au réseau électr.

Le raccordement ainsi que les rallonges utilisées doivent correspondre aux instructions. Le voltage et la fréquence doivent être conforme aux données inscrites sur la machine.

Le fusible de secteur électrique doit avoir 10A.

Utiliser pour le raccordement des câbles H07RN-F.

Tous travaux de branchement et de réparation sur l'installation électrique doivent être exécutés uniquement par un électricien qualifié.

5.4 Racc. collecteur de poussières

Utiliser un collecteur de poussières afin d'éviter une production de poussières trop élevée.

Aspirer la machine après chaque utilisation ou quand nécessaire.

5.5 Mise en exploitation

Mettre la machine en route avec le bouton vert. Arrêter la machine avec le bouton rouge.

6. Fonctionnement de la machine

Ajuster la butée de profondeur (A, Fig 2) à la profondeur de perçage souhaitée.

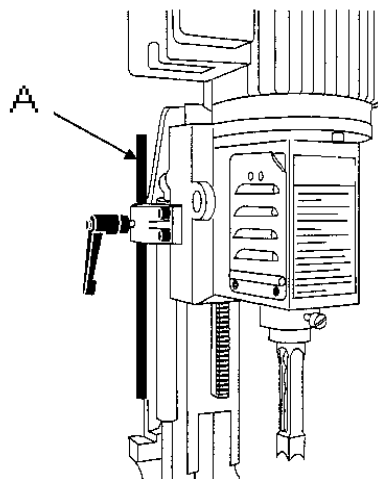


Fig 2

Positionner la butée de bout (B, Fig 1) selon la longueur de votre pièce à usiner.

Serrer la pièce à usiner dans l'étau (A, Fig 3). L'étau dispose d'un ajustement rapide; après un tour de broche complet vers la gauche l'écrou de broche est libre.

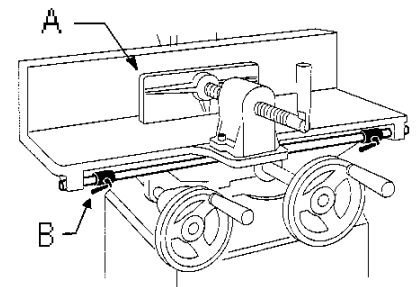


Fig 3

Pour une position transversale de la mortaise bouger la table avec le volant gauche vers l'avant et l'arrière.

Régler la longueur de la mortaise avec les deux butées de table (B, Fig 3).

Mettre la machine en marche.

Tirer le levier et mortaiser sans interruption dans la pièce.

REMARQUE:

Effectuer le perçage rapidement pour éviter des brûlures sur la surface, mais ne pas stopper le moteur. La vitesse d'avance idéale pour chaque type de bois demande de l'expérience.

Après le premier procédé de mortaisage, déplacer la pièce latéralement.

Choisir la direction de travail de manière à ne pas gêner l'évacuation des copeaux (Fig 4).

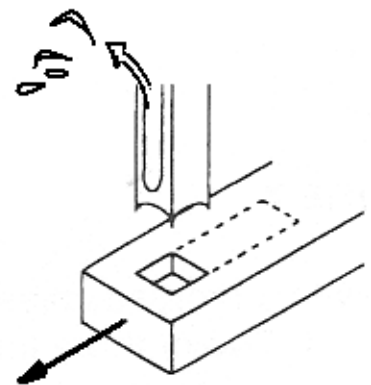


Fig 4

Effectuer les perçages profonds par étapes d'env. 25mm plus profond. Ainsi l'évacuation des copeaux est assurée.

Pour des perçages à travers placer un bout de bois en dessous de la pièce pour éviter des éclats à la face inférieure.

Attention:

Garder toujours une distance suffisante au perceur en rotation.

Ne jamais travailler avec les couvercles des mandrins de perceuse ouverts.

Poser des pièces longues sur des supports roulants.

7. Réglages

Attention

Faire tous les travaux de maintenance ou de réglage après avoir débranché la machine du réseau.

7.1 Montage mèche pour mortaiser

Déconnecter la machine du réseau.

Ouvrir les couvercles des mandrins des deux côtés de la tête.

Monter l'adaptateur mandrin (3, Fig 5), le creux vers le devant.

Insérer la mèche pour percer et mortaiser ensemble.

Bloquer légèrement avec la vis (2, Fig 5) la mèche pour mortaiser (4, Fig 5).

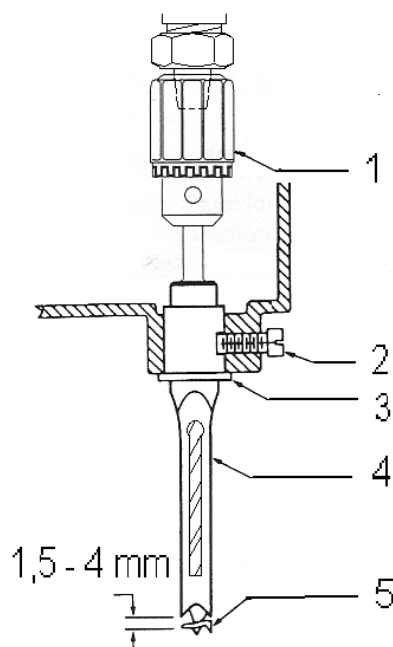


Fig 5

REMARQUE:

La fente de la mèche pour mortaiser doit seulement montrer vers la gauche ou la droite.

Ainsi l'évacuation des copeaux n'est pas atteinte pendant le travail.

Pousser la mèche pour mortaiser complètement en haut et ensuite faire descendre, dépendant du type de bois de la pièce, de 1,5 – 4mm. Bloquer la mèche pour mortaiser avec la vis.

Pousser le perceur en haut et fixer le dans le mandrin.

Desserrer la vis, pousser la mèche pour mortaiser en haut et bloquer la. Ainsi vous aurez la distance souhaitée entre le taillant et la mèche.

REMARQUE: La mèche pour mortaiser doit être située parallèle. Utiliser pour ceci la pièce comme aide directive (Fig 6).

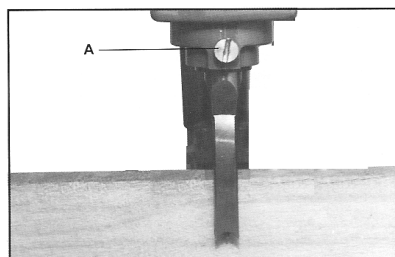


Fig 6

Refermer les deux couvercles des mandrins.

Pour mèche à queue courte:

Pour une mèche à queue courte vous aurez besoin de la rallonge d'arbre livrée.

Tenir le mandrin avec la clé de mandrin. Pousser le mandrin avec le boulon de chasse de l'arbre du moteur à l'aide de la clé à fourche 32mm livrée.

Fixer la rallonge d'arbre sur le mandrin avant de le réinstaller.

7.2 Réaffûtage de l'outil

Des mèches pour percer et mortaiser affûtées sont une condition pour un bon résultat de travail.

Affûter le taillant de l'outil avec une petite lime en suivant la forme originale de l'outil.

Limer à la face intérieure de l'ébaucheur (A, Fig 7), sur les côtés de la pointe de centrage (B, Fig 7) et à la face de coupe du tranchant principal (C, Fig 7).

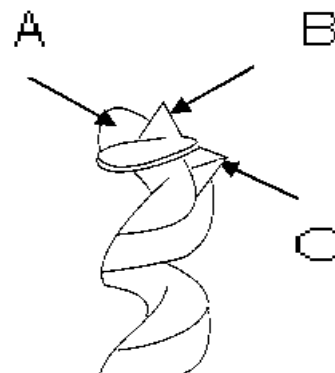


Fig 7

Ne pas limer à la face extérieure de l'ébaucheur car ceci pourrait modifier le diamètre de perçage.

Affûter la mèche pour mortaiser seulement à la face intérieure du taillant.

8. Entretien et inspection

Attention

Faire tous les travaux de maintenance, réglage ou nettoyage après avoir débranché la machine du réseau!

L'entretien de la mortaiseuse se limite au graissage, réglages de routine et réaffûtage des outils.

Nettoyer la machine régulièrement.

Remplacer immédiatement les dispositifs de protection endommagés ou usés.

Tous travaux de branchement et de réparation sur l'installation électrique doivent être exécutés uniquement par un électricien qualifié.

9. Détecteur de pannes

Moteur ne se met pas en route

*Pas de courant- Vérifier le voltage.

*Défaut au moteur, bouton ou câble- Contacter un électricien qualifié.

Mèche pour mortaiser bouchée

*Distance mèche pour percer à la mèche pour mortaiser insuffisante- Placer la mèche pour percer 1,5 - 4mm en-dessous de la mèche pour mortaiser.

*Copeaux ne peuvent pas évacuer-
Tenir compte de l'encoche du
mortaiseur et du déroulement du
travail.

Brûlures à la surface des pièces

*Avance pas assez vite-
Augmenter la vitesse.

*Mèche pour percer/mortaiser usée-
Réaffûter.

10. Accessoires

Article 6285526

Mèche pour percer/mortaiser 6,35 mm

Article 6285527

Mèche pour percer/mortaiser 8 mm

Article 6285528

Mèche pour percer/mortaiser 9,5 mm

Article 6285529

Mèche pour percer/mortaiser 12,7 mm

Article 6292447

Mèche pour percer/mortaiser
15,87mm

Article 6292448

Mèche pour percer/mortaiser 19 mm