

JET

DC-900

DUST COLLECTOR

10001051M

~230V, 50Hz

PARTS LIST

Walter Meier (TOOL) AG

Tämperlistrasse 5

CH-8117 Fällanden

Switzerland

Phone +41 44 806 47 48

Fax +41 44 806 47 58

jetinfo.eu@waltermeier.com

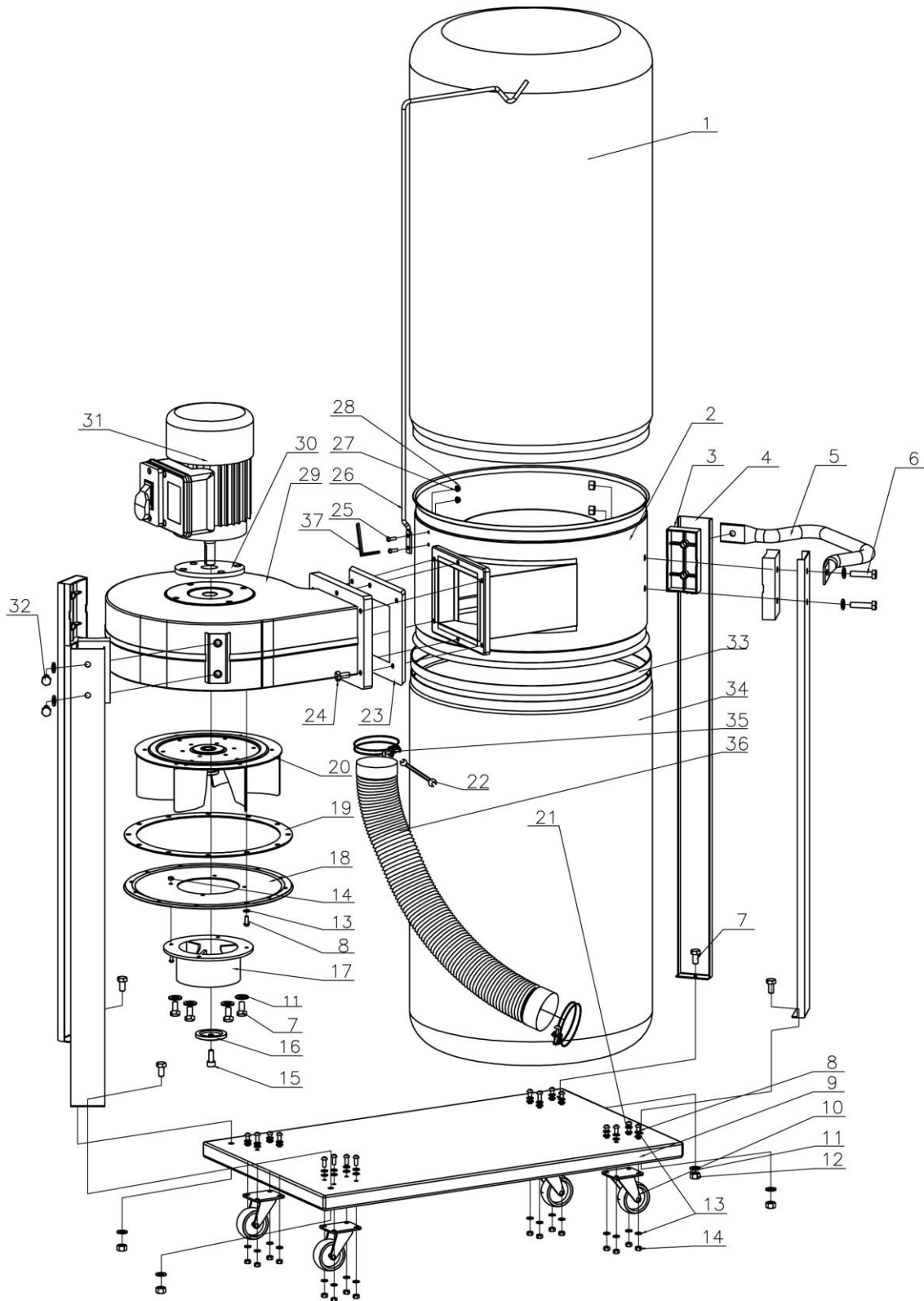
www.jettools.com



P-10001051M

2012-06

Parts Breakdown for DC-900 Dust Collector



Parts List for DC-900 Dust Collector

Index No.	Part No.	Description	Size	Qty.
1	DC900-001	Cloth filter bag		1
2	DC900-002	body		1
3	DC900-003	Cushion		4
4	DC900-004	leg		4
5	DC900-005	handle		1
6	DC900-006	Bolt	M8X35	8
7	DC900-007	Bolt	M8X12	8
8	DC900-008	Screw	M5X12	32
9	DC900-009	Base		1
10	DC900-010	Wheel		4
11	DC900-011	Washer	8	20
12	DC900-012	Nut	M8	8
13	DC900-013	Washer	5	52
14	DC900-014	Nut	M5	20
15	DC900-015	Screw	M6X16	1
16	DC900-016	Big Washer	6	1
17	DC900-017	Intake port		1
18	DC900-018	Plate		1
19	DC900-019	Rubber cushion		1
20	DC900-020	Fan		1
21	DC900-021	Spring Washer	5	16
22	DC900-022	Hex wrench	8/10	1
23	DC900-023	Rubber cushion		1
24	DC900-024	Bolt	M6X15	6
25	DC900-025	Screw	M4X12	2
26	DC900-026	Bag Hanger		1
27	DC900-027	Washer	4	2
28	DC900-028	Nut	M4	1
29	DC900-029	Fan housing		1
30	DC900-030	Cushion		1
31	DC900-031	Motor 230V, 50Hz complete assembly		1
	DC900-031RC	Running Capacitor (not shown)		1
	DC900-031-A	Switch box		1
	DC900-031-B	Switch plate		1
	DC900-031-C	Screw ST3.5X13	ST3.5X13	2
	DC900-031-D	On/Off Switch		1
32	DC900-032	Bolt	M8X20	4
33	DC900-033	Bag clamp		2
34	DC900-034	Collection bag		3
35	DC900-035	Hose clamp		2
36	DC900-036	Hose 100mm		1
37	DC900-037	S3 Allen wrench		1

Wiring Diagram for DC-900 Dust Collector 10001051M.....~230V, 50Hz

	colour of strands	Litzenfarben	couleur des cordons
BU	blue	blau	bleu
BN	brown	braun	brun
GNYE	green-yellow	grün-gelb	vert-jaune

	meaning of symbol	Bedeutung der Zeichen	interprétation
M	motor	Motor	moteur
S	switch	Schalter	interrupteur
C	condenser	Kondensator	condensateur

