

JET

JTS-600XL TABLE SAW

JTS-600XL...10000070XLM....230/50/1

JTS-600XL....10000070XLT....400/50/3

PARTS LIST ERSATZTEILLISTE LISTE DE PIECES

Walter Meier (Tool) AG

Tämperlistrasse 5

CH-8117 Fällanden

Switzerland

Phone +41 44 806 47 48

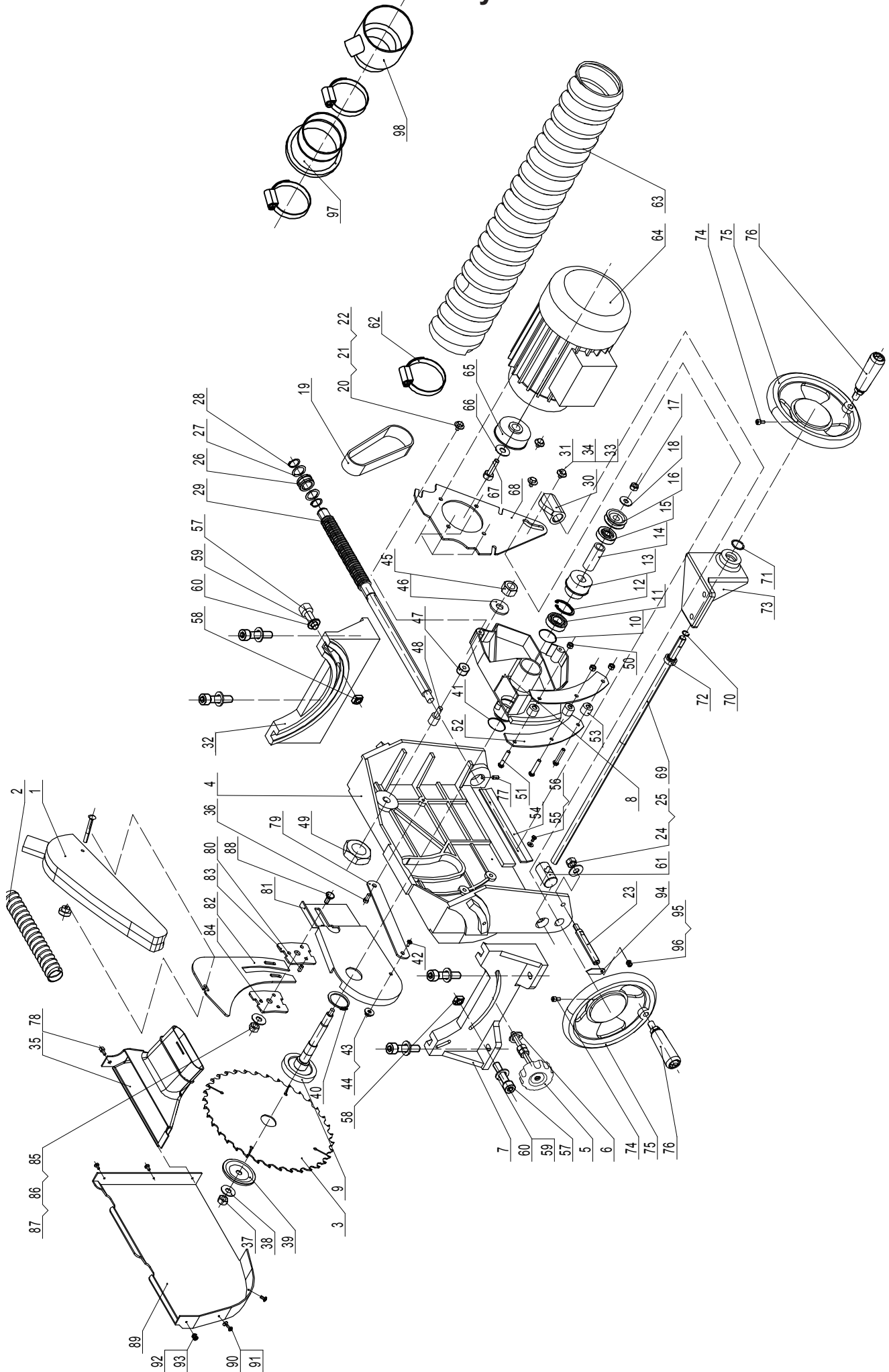
Fax +41 44 806 47 58

jetinfo.eu@waltermeier.com

www.jettools.com



Trunnion Assembly for JTS-600XL



Trunnion Assembly for JTS-600XL

Index	Part No.	Description	Size	Qty.
1	JTS600-001	Blade guard assy		1
2	JTS600-002	Dust collection tube(small)		1
3	JTS600-003	Blade	φ250x3xφ30-36T	1
4	JTS600-004	Mount adjusting base		1
5	JTS600-005	Locking handle assy		1
6	JTS600-006	Washer	M8	1
7	JTS600-007	Rotating support base A		1
8	JTS600-008	Mount base		1
9	JTS600-009	Main shaft		1
10	JTS600-010	Adjusting washer		4
11	JTS600-011	Bearing	80103C	1
12	JTS600-012	Retaining ring		1
13	JTS600-013	Shaft pulley		1
14	JTS600-014	Tube		1
15	JTS600-015	Bearing	80103C	1
16	JTS600-016	Adjusting wheel		1
17	JTS600-017	Nut	M8	1
18	JTS600-018	Washer	M8	1
19	JTS600-019	Poly-belt		1
20	JTS600-020	Hex screw	M6X30	3
21	JTS600-021	Washer	M6	3
22	JTS600-022	Washer	M6	3
23	JTS600-023	Indicator rod		1
24	JTS600-024	Nut	M8	1
25	JTS600-025	Washer	M8	1
26	JTS600-026	Tube		1
27	JTS600-027	Washer		2
28	JTS600-028	Retaining ring		2
29	JTS600-029	Thread rod		1
30	JTS600-030	Thread tube		1
31	JTS600-031	Tube		1
32	JTS600-032	Washer	M8	1
33	JTS600-033	Position screw		1
34	JTS600-034	Rotating support base B		1
35	JTS600-035	Dust funnel		1
	JTS600-035A	Funnel&hose clamp assly.(35, 62)		1
36	JTS600-036	Screw		1
37	JTS600-037	Right hand nut	M10X1.5	1
38	JTS600-038	Washer	M10	1
39	JTS600-039	Blade flange		1
40	JTS600-040	Retaining ring		1
41	JTS600-041	Washer		2
42	JTS600-042	Screw	M6X20	1
43	JTS600-043	Nut	M6	1
44	JTS600-044	Washer	M6	2
45	JTS600-045	Nut	M8	1
46	JTS600-046	Washer	M8	1
47	JTS600-047	Tube II		1
48	JTS600-048	Position screw		1
49	JTS600-049	Nut	M6	1
50	JTS600-050	Nut	M6	3
51	JTS600-051	Screw	M6X35	3
52	JTS600-052	Clamping plate		2
53	JTS600-053	Tube I		3
54	JTS600-054	Guard for thread rod		1
55	JTS600-055	Washer	M6	2

Trunnion Assembly for JTS-600XL

Index	Part No.	Description	Size	Qty.
56	JTS600-056	Pan head screw	M6X8	2
57	JTS600-057	Nut	M8X20	2
58	JTS600-058	Square Nut		2
59	JTS600-059	Washer	M8	2
60	JTS600-060	Internal washer	M8	2
61	JTS600-061	45degree tilting rod		1
62	JTS600-062	Hose clamp		3
63	JTS600-063	Dust collection hose(big)		1
64	JTS600-064E	Motor 230V/50Hz/1		1
	JTS600-064AE	Motor 400V/50Hz/3		1
	JTS600-064RCE	Running Capacitor (not shown)	(20uF/ 450VAC)	1
	JTS600-064-B	Motor Break replacement parts	(not shown)	1
65	JTS600-065	Motor pulley		1
66	JTS600-066	Anti back washer		1
67	JTS600-067	Screw		1
68	JTS600-068	Motor mounting bracket		1
69	JTS600-069	Tilting thread rod		1
70	JTS600-070	Clamping ring	M12	1
71	JTS600-071	Clamping ring	M22	1
72	JTS600-072	Joint bearing		1
73	JTS600-073	Bracket for joint bearing		1
74	JTS600-074	Screw	M6X16	2
75	JTS600-075	Big handle wheel		2
76	JTS600-076	Handle		2
77	JTS600-077	Screw	M6X10	1
78	JTS600-078	Screw		1
79	JTS600-079	Connecting plate		1
80	JTS600-080	Hex socket screw	M6x10	3
81	JTS600-081	Bracket for riving knife		1
82	JTS600-082	Riving knife		1
83	JTS600-083	Guide plate		1
84	JTS600-084	Press plate		1
85	JTS600-085	Washer	M10	1
86	JTS600-086	Nut	M10	1
87	JTS600-087	Spring washer	M10	1
88	JTS600-088	Screw	M10X25	1
89	JTS600-089	Inside blade guard		1
90	JTS600-090	Screw	M4X10	3
91	JTS600-091	Washer	M5	5
92	JTS600-092	Screw	M4X20	2
93	JTS600-093	Self lock nut	M4	2
94	JTS600-094	Angle indicator		1
95	JTS600-095	Washer	M4	1
96	JTS600-096	Screw	M4X8	1
97	JTS600-097	Cabinet adapter		1
98	JTS600-098	Hose adapter (Y-piece)		1

Table and Frame Assembly for JTS-600XL

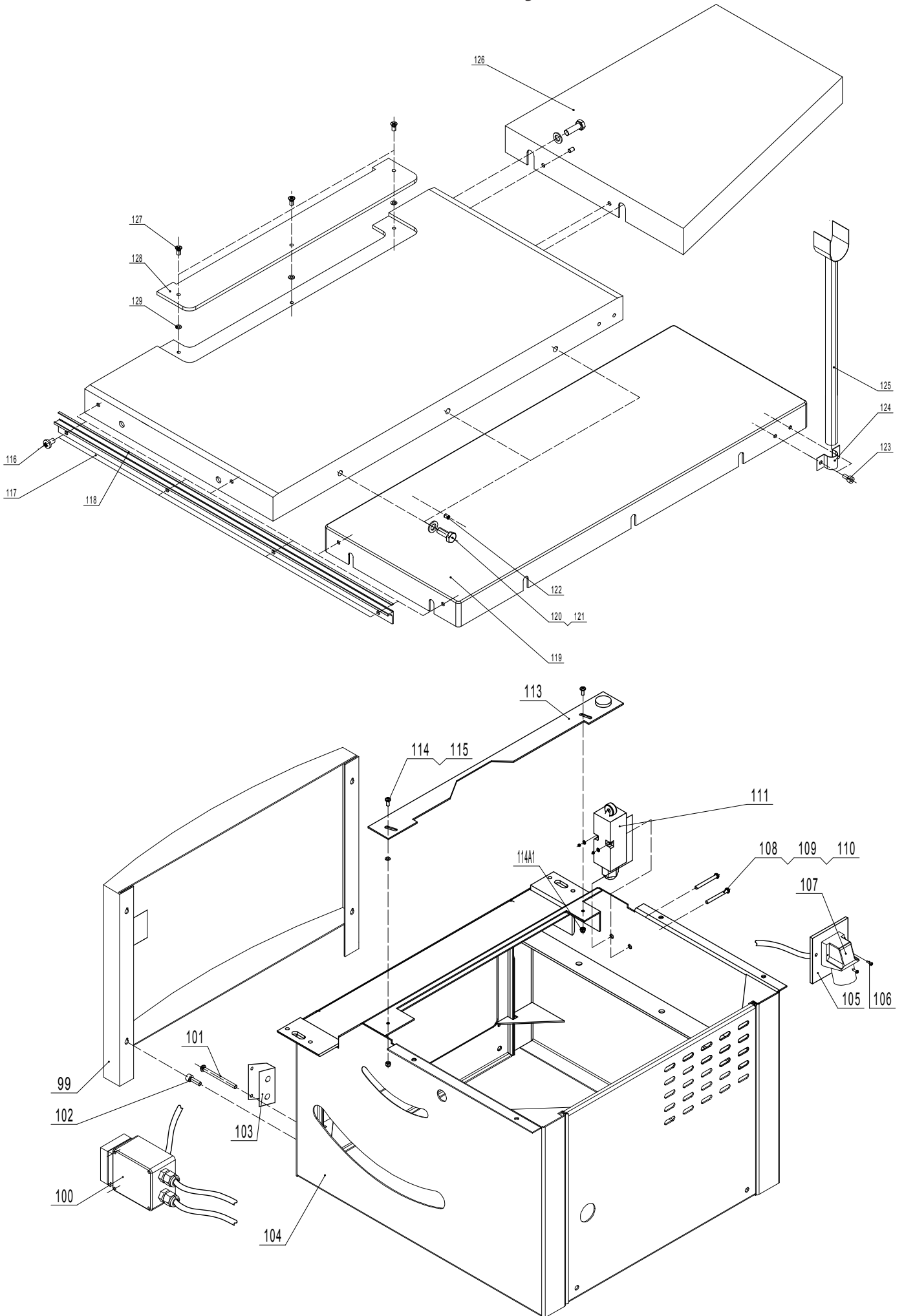
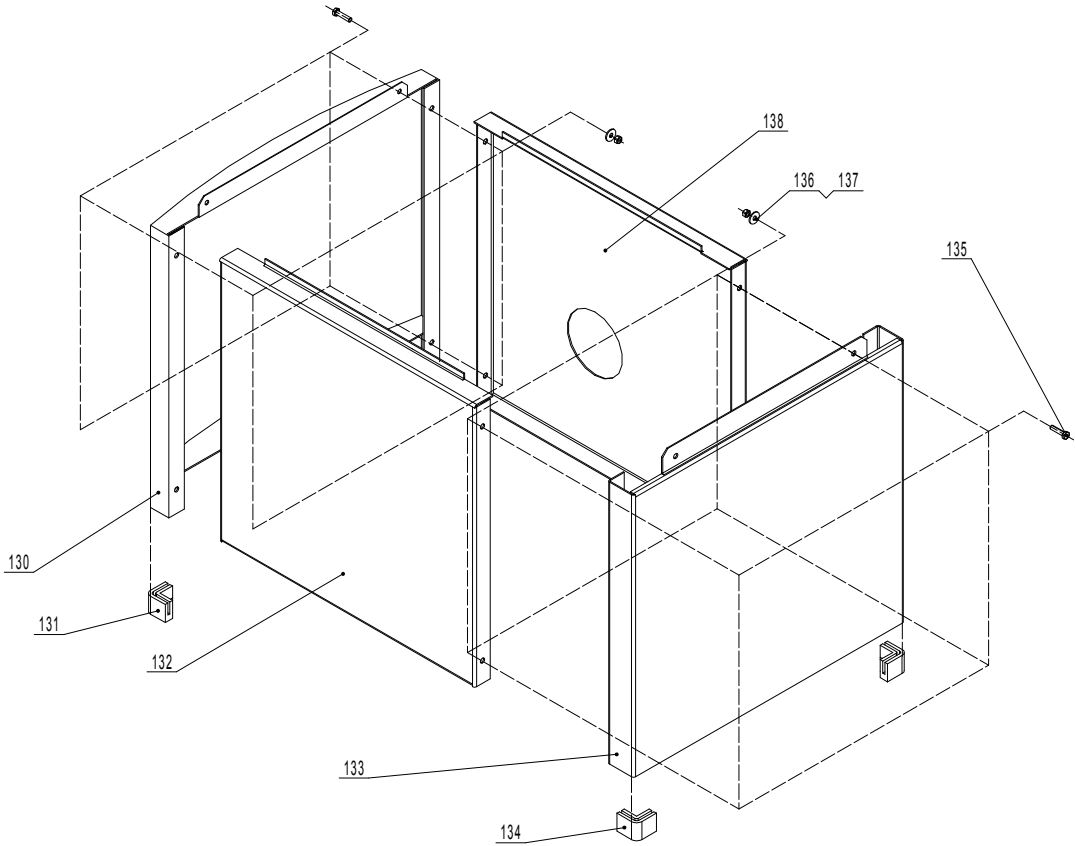
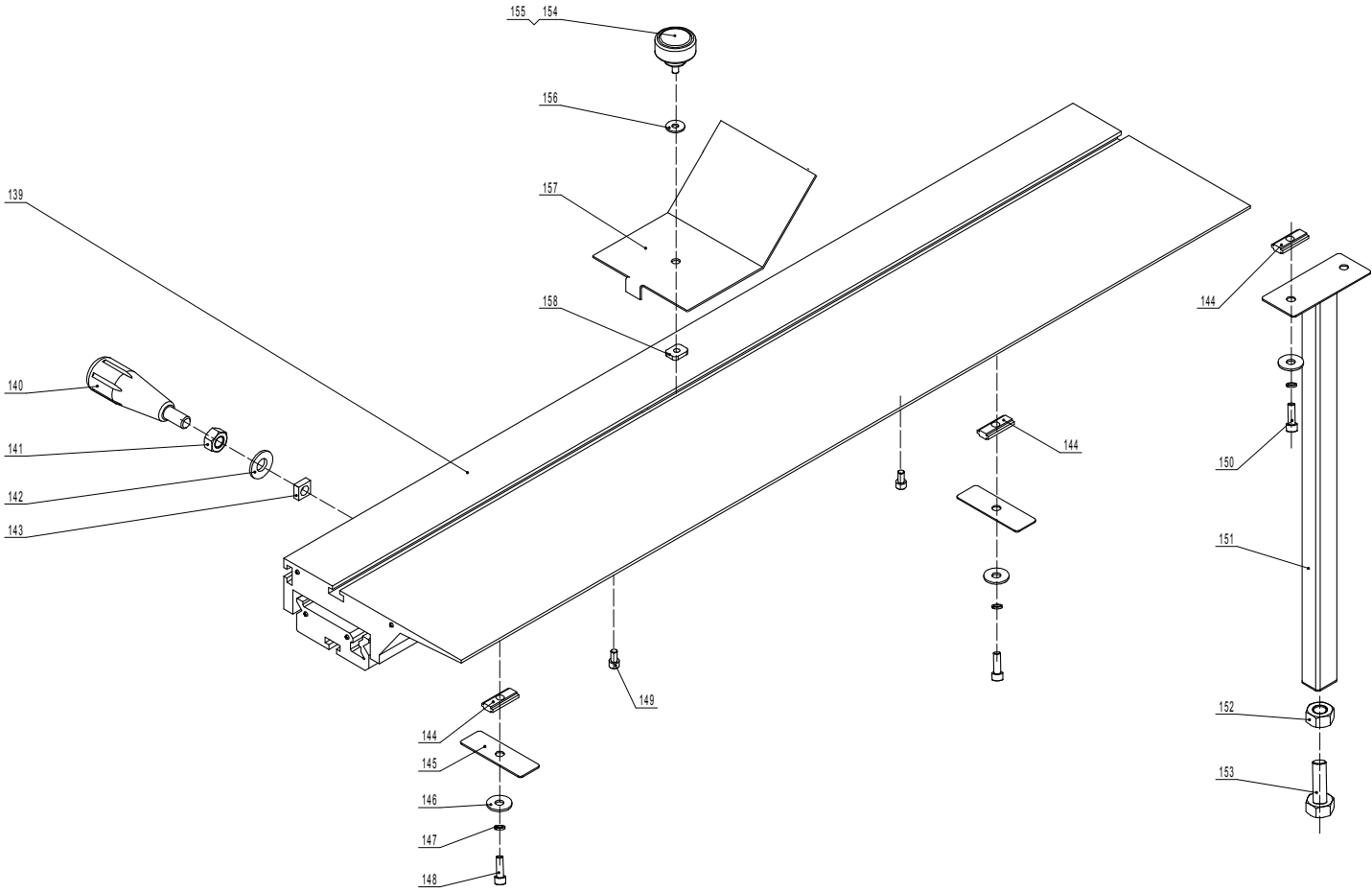


Table and Frame Assembly for JTS-600XL

Index	Part No.	Description	Size	Qty.
99	JTS600XL-099	Upper acr panel		1
100	JTS600XL-100E	Switch Assembly 230V/50Hz/1		1
	JTS600XL-100AE	Switch Assembly 400V/50Hz/3		1
101	JTS600XL-101	Screw	M4X60	2
102	JTS600XL-102	Screw	M6X16	3
103	JTS600XL-103	Switch Plate		1
104	JTS600XL-104	Upper frame ASSY		1
105	JTS600XL-105	Plug Connection plate		1
106	JTS600XL-106	Screw	M4X15	4
107	JTS600XL-107E	Plug 230V/50Hz/1		1
	JTS600XL-107AE	Plug 400V/50Hz/3		1
108	JTS600XL-108	Pan head screw	M4X30	2
109	JTS600XL-109	Washer	M4	2
110	JTS600XL-110	Nut		2
111	JTS600XL-111	Micro switch		1
113	JTS600XL-113	Guard		1
114	JTS600XL-114	Screw	M5X8	3
114A1	JTS600XL-114A1	Nylon nut		2
115	JTS600XL-115	Split damping ring		3
116	JTS600XL-116	Pan head screw	M6X16	2
117	JTS600XL-117	Scale bracket		1
118	JTS600XL-118	Scale		1
119	JTS600XL-119	Right extension Table		1
120	JTS600XL-120	Hex Bolt	M8X20	6
121	JTS600XL-121	Washer	M8	6
122	JTS600XL-122	Screw	M8X10	6
123	JTS600XL-123	Screw	M6X16	2
124	JTS600XL-124	Semicircular bracket		1
125	JTS600XL-125	Support bracket		1
126	JTS600XL-126	Rear extension table		1
127	JTS600XL-127	Screw	M5X8	3
128	JTS600XL-128	Table insert		1
129	JTS600XL-129	Split damping ring		3

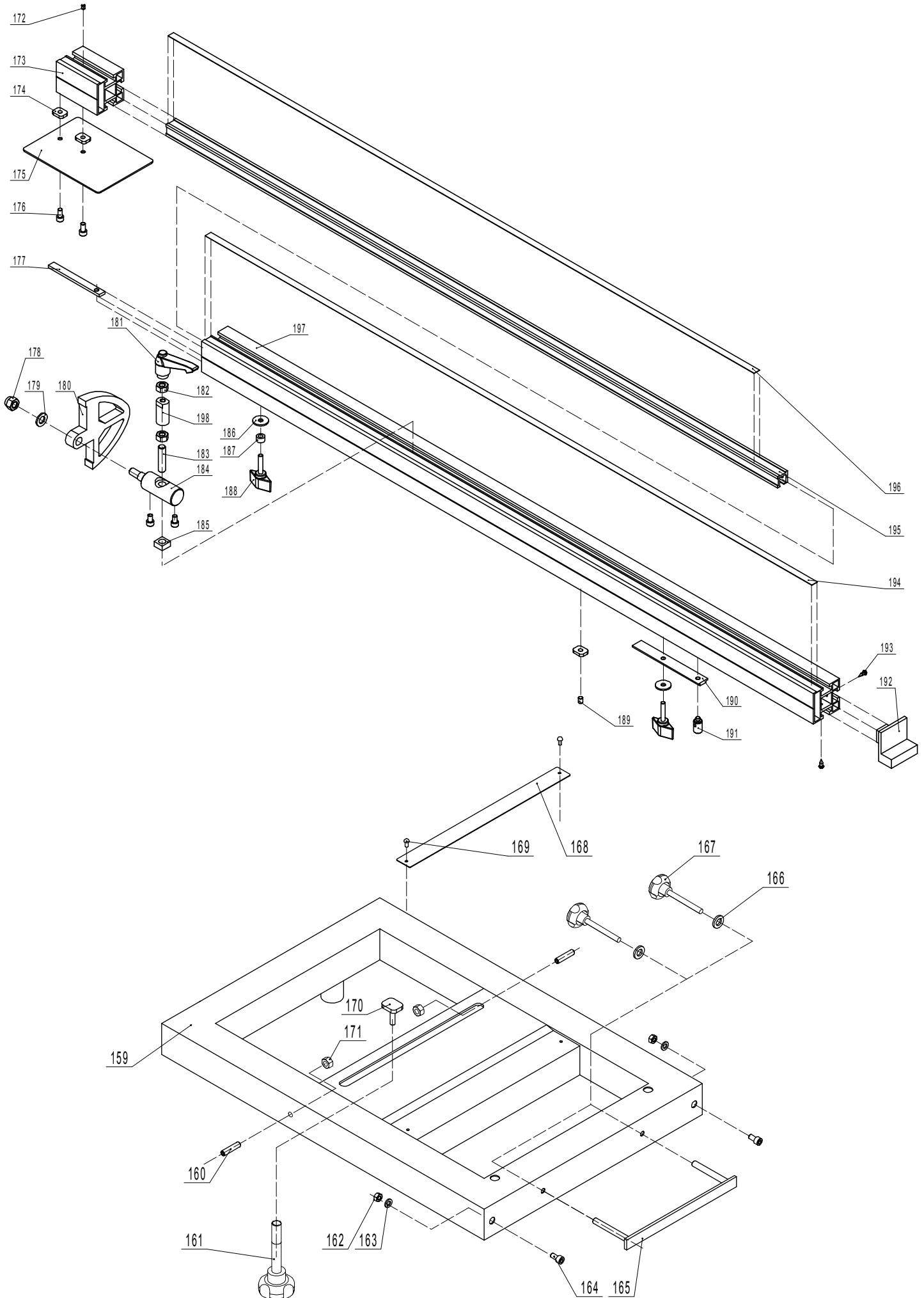
Sliding Table and Cabinet Assembly for JTS-600XL



Sliding Table and Cabinet Assembly for JTS-600XL

Index	Part No.	Description	Size	Qty.
130	JTS600XL-130	Lower arc panel		1
131	JTS600XL-131	Foot for arc panel		2
132	JTS600XL-132	Base rear panel		1
133	JTS600XL-133	Base side panel		1
134	JTS600XL-134	Foot for side panel		2
135	JTS600XL-135	Hex screw	M6X15	8
136	JTS600XL-136	Nut	M6	8
137	JTS600XL-137	Washer		8
138	JTS600XL-138	Base rear panel		1
139	JTS600XL-139	Sliding table ASSY		1
140	JTS600XL-140	Star locking handle		1
141	JTS600XL-141	Hex nut	M10	1
142	JTS600XL-142	Washer		1
143	JTS600XL-143	Square nut		1
144	JTS600XL-144	Sliding block		6
145	JTS600XL-145	Shim plate		2
146	JTS600XL-146	Washer		6
147	JTS600XL-147	Spring washer		6
148	JTS600XL-148	Hex socket screw	M8X25	2
149	JTS600XL-149	Hex socket screw	M6X10	2
150	JTS600XL-150	Hex socket screw	M8X16	4
151	JTS600XL-151	Support pin		2
152	JTS600XL-152	Hex nut	M16	2
153	JTS600XL-153	Hexagonal head bolt	M16X55	2
154	JTS600XL-154	Damper Knob ASSY		1
155	JTS600XL-155	Hex Bolt	M6X20	1
156	JTS600XL-156	Washer		1
157	JTS600XL-157	Push plate		1
158	JTS600XL-158	Square nut		1

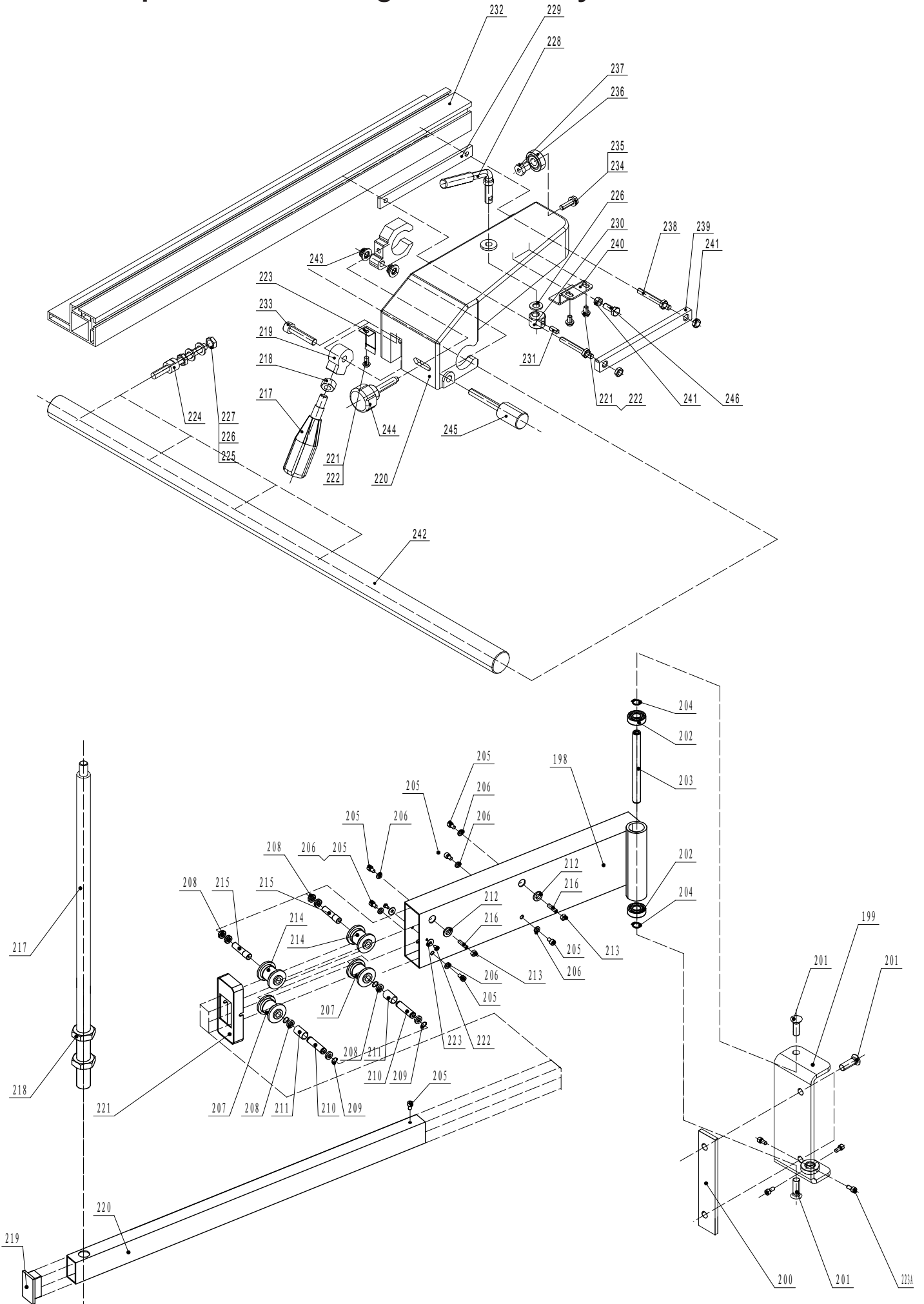
Outrigger Table and Pull-out Miter Gauge Assembly for JTS-600XL



Outrigger Table and Pull-out Miter Gauge Assembly for JTS-600XL

Index	Part No.	Description	Size	Qty.
159	JTS600XL-159	Ext.sliding table ASSY		1
160	JTS600XL-160	Hex socket screw	M8X40	2
161	JTS600XL-161	Handle ASSY		1
162	JTS600XL-162	Nut	M8	2
163	JTS600XL-163	Washer		2
164	JTS600XL-164	Location screw		2
165	JTS600XL-165	Clamping plate		1
166	JTS600XL-166	Washer		2
167	JTS600XL-167	Handle star knob		2
168	JTS600XL-168	Angle ruler		1
169	JTS600XL-169	Revit		2
170	JTS600XL-170	Locking block		1
171	JTS600XL-171	Nut	M8	2
172	JTS600XL-172	Hex socket screw	M5X6	1
173	JTS600XL-173	Ext. bracket for lengthened		1
174	JTS600XL-174	Square nut		4
175	JTS600XL-175	Location plate		1
176	JTS600XL-176	Hex socket screw	M6X12	4
177	JTS600XL-177	Fixing plate		1
178	JTS600XL-178	Hex Series Nuts	M10	1
179	JTS600XL-179	Washer		1
180	JTS600XL-180	Baffle plate		1
181	JTS600XL-181	Adjust handle		1
182	JTS600XL-182	Nut	M8	2
183	JTS600XL-183	Hex socket screw	M8X50	1
184	JTS600XL-184	Pivot		1
185	JTS600XL-185	Square nut		1
186	JTS600XL-186	Washer		2
187	JTS600XL-187	Washer		1
188	JTS600XL-188	Knob		3
189	JTS600XL-189	Hex socket screw	M6X10	1
190	JTS600XL-190	Long plate		1
191	JTS600XL-191	Pivot		1
192	JTS600XL-192	Fence cover		1
193	JTS600XL-193	Self tapping screw		2
194	JTS600XL-194	Ruller I		1
195	JTS600XL-195	Main bracket for lengthened ruler		1
196	JTS600XL-196	Ruller III		1
197	JTS600XL-197	Fence		1

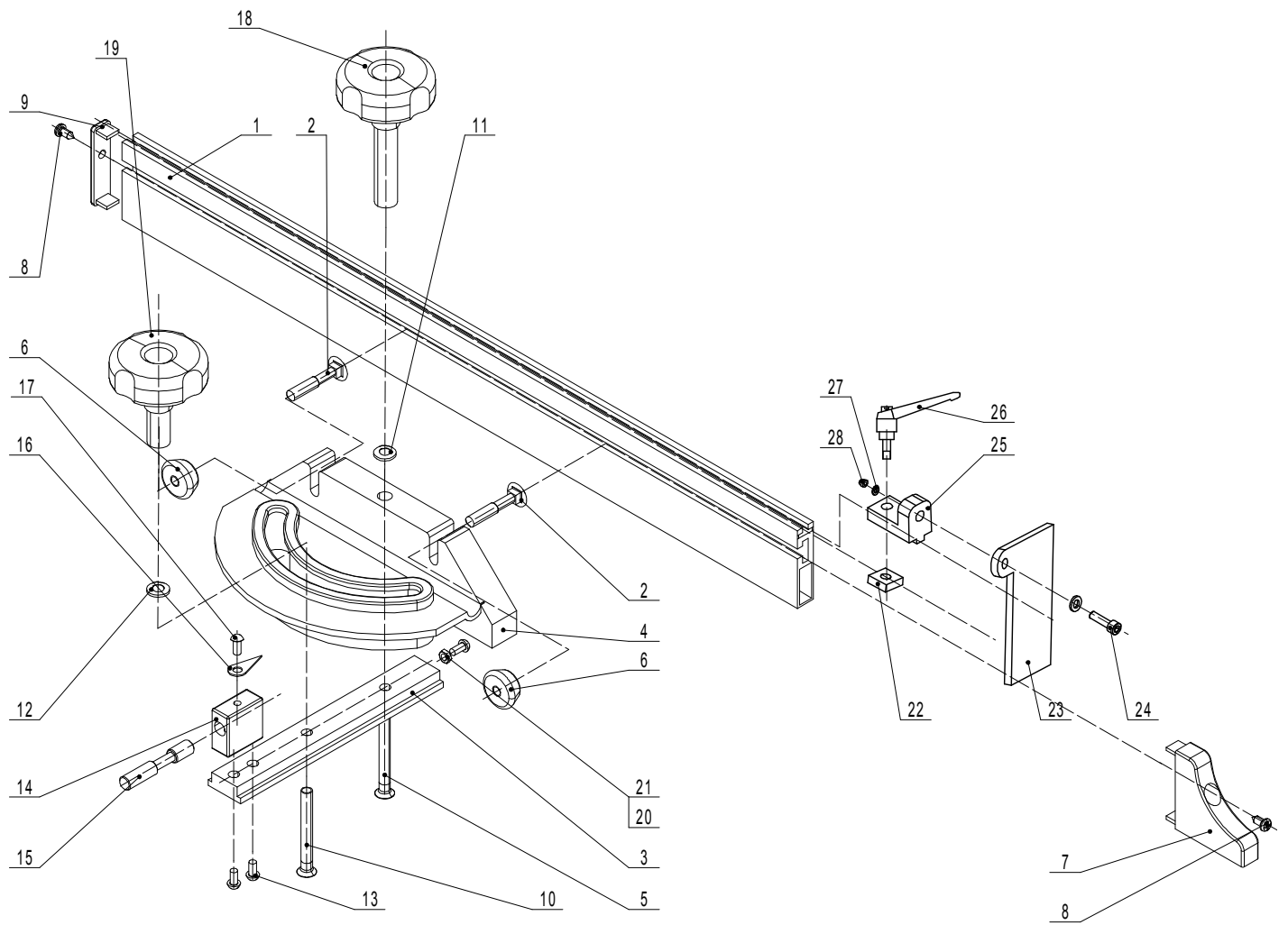
Rip Fence and Swing Arm Assembly for JTS-600XL



Rip Fence and Swing Arm Assembly for JTS-600XL

Index	Part No.	Description	Size	Qty.
198	JTS600-198	Support for telescopic tube		1
199	JTS600-199	Fixing bracket		1
200	JTS600-200	Connection plate		1
201	JTS600-201	Hex socket screw	M10X25	4
202	JTS600-202	Bearing	6202GB278	2
203	JTS600-203	Shaft		1
204	JTS600-204	Clip ring	M15	2
205	JTS600-205	Screw	M6X10	7
206	JTS600-206	Washer	M6	6
207	JTS600-207	Lower wheel		2
208	JTS600-208	Bearing	61801GB276	8
209	JTS600-209	Clip ring	M12	4
210	JTS600-210	Shaft		2
211	JTS600-211	Tube		2
212	JTS600-212	Outside baffle		2
213	JTS600-213	Nut	M6	2
214	JTS600-214	Upper wheel		2
215	JTS600-215	Eccentric shaft		2
216	JTS600-216	Hex socket screw	M6X25	2
217	JTS600-217	Support rod		1
218	JTS600-218	Nut	M20	2
219	JTS600-219	Tube cap		2
220	JTS600-220	Telescopic tube		1
221	JTS600-221	End cover		1
222	JTS600-222	Screw	M4X8	2
223	JTS600-223	Washer	M5	2
223A1	JTS600-223A1	Hex socket screw		4
224	JTS600-224	Locking handle		1
225	JTS600-225	Nut	M10	1
226	JTS600-226	Cam		1
	JTS600-226A	Cam & handle assembly(224, 225,		1
227	JTS600-227	Rip fence bracket		1
228	JTS600-228	Screw	M5X8	3
229	JTS600-229	Washer	M5X8	3
230	JTS600-230	Clip spring		1
231	JTS600-231	Stud		4
232	JTS600-232	Nut	M8	4
233	JTS600-233	Washer	M8	9
234	JTS600-234	Nut	M8	4
235	JTS600-235	Handle		1
236	JTS600-236	Locking plate I		1
237	JTS600-237	Locking cam wheel		1
238	JTS600-238	Hex socket srcew	M8X18	1
239	JTS600-239	L-shape rip fence		1
240	JTS600-240	Hex socket srcew	M8X40	1
241	JTS600-241	Hex screw	M6X20	1
242	JTS600-242	Washer	M6	1
243	JTS600-243	Bearing	6000GB276	1
244	JTS600-244	Bearing bracket		1
245	JTS600-245	Locking screw		2
246	JTS600-246	Locking plate II		1
247	JTS600-247	Support plate		1
248	JTS600-248	Hex nut	M6	5
249	JTS600-249	Fence bracket rail		1
250	JTS600-250	Self locking nut	M8	2
251	JTS600-251	Star locking handle		1
252	JTS600-252	Micro adjust handle		1
253	JTS600-253	Hex screw	M6X16	1
	JTS600-253E	Clamping bracket		1

Miter Gauge Assembly for JTS-600XL



Miter Gauge Assembly for JTS-600XL

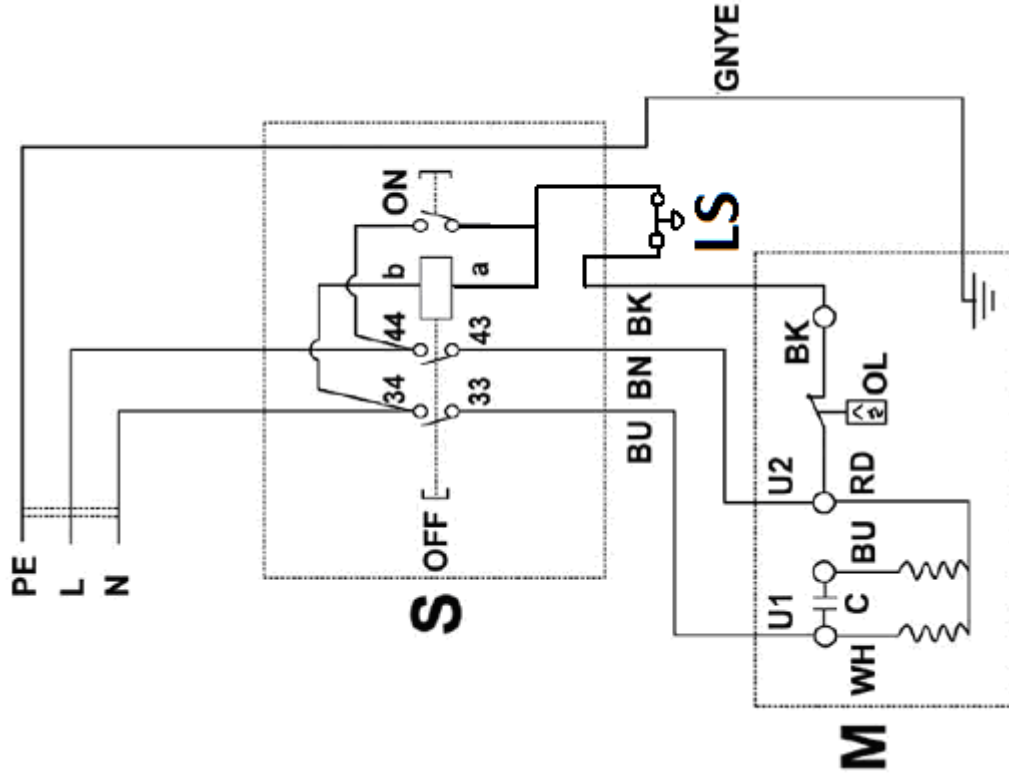
Index	Part No.	Description	Size	Qty.
MG1	JTS600XL-MG1	Miter fence profil		1
MG2	JTS600XL-MG2	Carriage bolt	M6X30	2
MG3	JTS600XL-MG3	T-Bar		1
MG4	JTS600XL-MG4	Mitre gauge		1
MG5	JTS600XL-MG5	Pan head screw	M6X70	1
MG6	JTS600XL-MG6	Knurled nut		2
MG7	JTS600XL-MG7	Right cover for fip fence		1
MG8	JTS600XL-MG8	Self tapping screw		2
MG9	JTS600XL-MG9	Left cover for fip fence		1
MG10	JTS600XL-MG10	Pan head screw	M6X50	1
MG11	JTS600XL-MG11	Washer	M6	1
MG12	JTS600XL-MG12	Washer	M6	2
MG13	JTS600XL-MG13	Screw	M4X12	2
MG14	JTS600XL-MG14	Indicator bracket		1
MG15	JTS600XL-MG15	Location pin		1
MG16	JTS600XL-MG16	Indicator		1
MG17	JTS600XL-MG17	Screw	M4X8	1
MG18	JTS600XL-MG18	Handle		1
MG19	JTS600XL-MG19	Handle		1
MG20	JTS600XL-MG20	Nut	M4	3
MG21	JTS600XL-MG21	Screw	M4X16	3
MG22	JTS600XL-MG22	Square nut		1
MG23	JTS600XL-MG23	Stopper		1
MG24	JTS600XL-MG24	Set screw	M6x20	1
MG25	JTS600XL-MG25	Stoper bracket		1
MG26	JTS600XL-MG26	Locking handle		1
MG27	JTS600XL-MG27	Washer		1
MG28	JTS600XL-MG28	Nylon nut	M6	1

JTS-600XL
10000060XLM

~230V, 50Hz

colour of strands	Litzenfarben	couleur des cordons
BK	schwarz	noir
WH	weiß	blanc
BU	blau	bleu
YE	gelb	jaune
RD	rot	rouge
BN	braun	brun
GY	grau	gris
GNYE	grün-gelb	vert-jaune
OG	orange	orange
VT	violett	violet

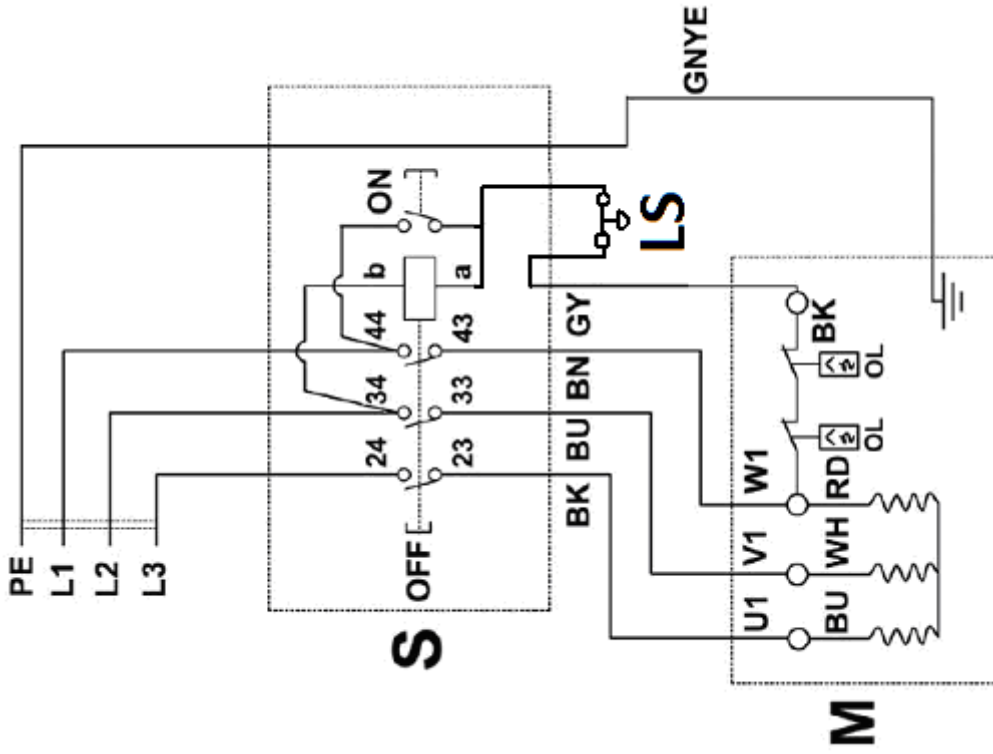
meaning of symbol	Bedeutung der Zeichen	interprétation
M	Motor	moteur
S	Schalter	interrupteur
C	Kondensator	condensateur
OL	Überlastschuttschalter	déclencheur surcharge
LS	Positionsschalter	micro



JTS-600XL

10000060XL.T

3~400V, 50Hz



colour of strands	Litzenfarben	couleur des cordons
BK	schwarz	noir
WH	weiß	blanc
BU	blau	bleu
YE	gelb	jaune
RD	rot	rouge
BN	braun	brun
GY	grau	gris
GNYE	grün-gelb	vert-jaune
OG	orange	orange
VT	violett	violet

meaning of symbol	Bedeutung der Zeichen	interprétation
M	Motor	moteur
S	Schalter	interrupteur
C	Kondensator	condensateur
OL	Überlastschutzschalter	déclencheur surcharge
LS	Positionsschalter	micro